

# JBC

[www.jbctools.com](http://www.jbctools.com)



## Flexible Arm + Clamp

Ref. FAE070

# Packing List

The following items should be included:

**Flexible Arm** ..... 1 unit  
Ref. FAE070



**Clamps** ..... 2 units  
Ref. 0018940



**Screws\*** ..... 2 units  
Ref. 0018681



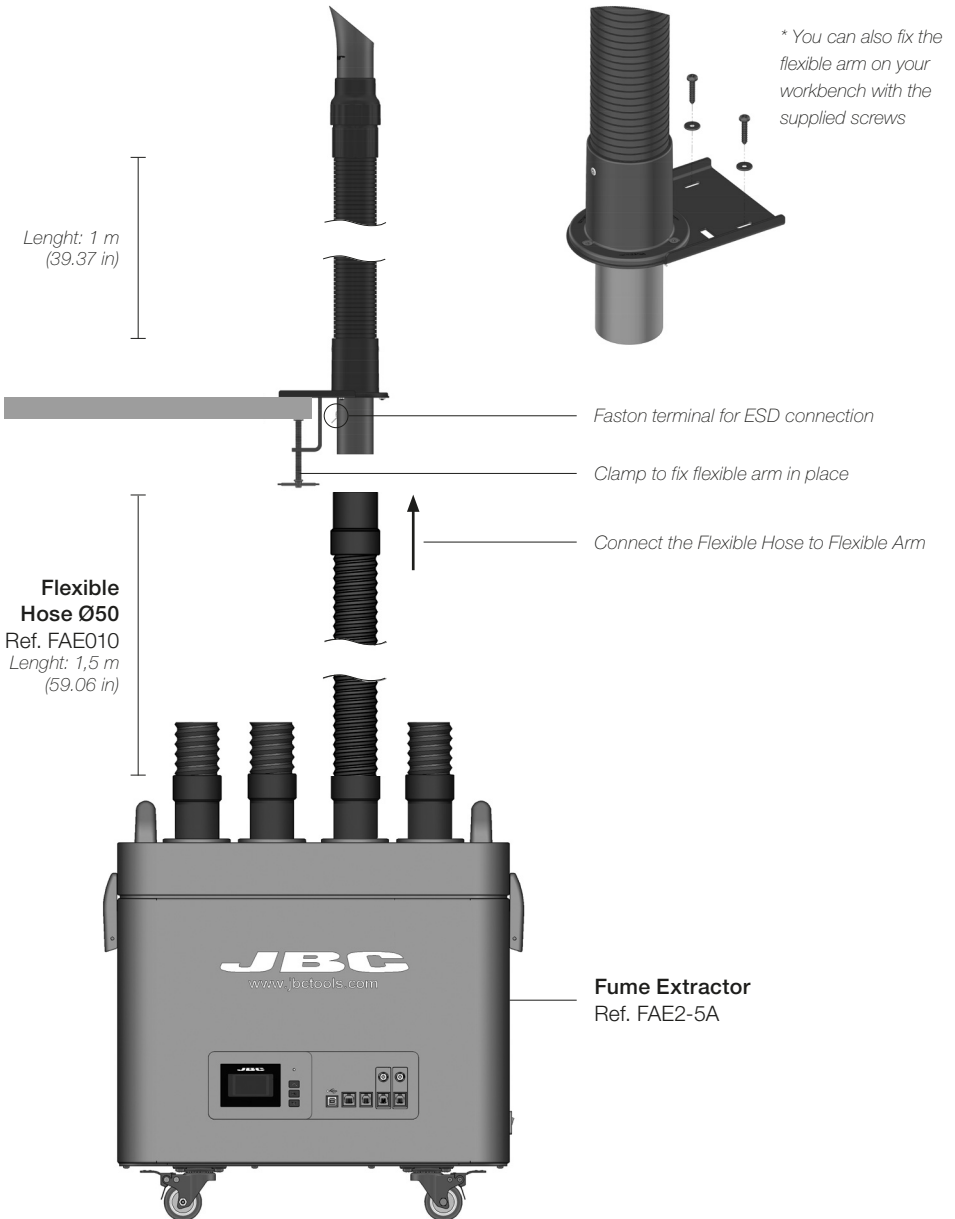
**Washers\*** ..... 2 units  
Ref. 0018877



**Manual** ..... 1 unit  
Ref. 0019184

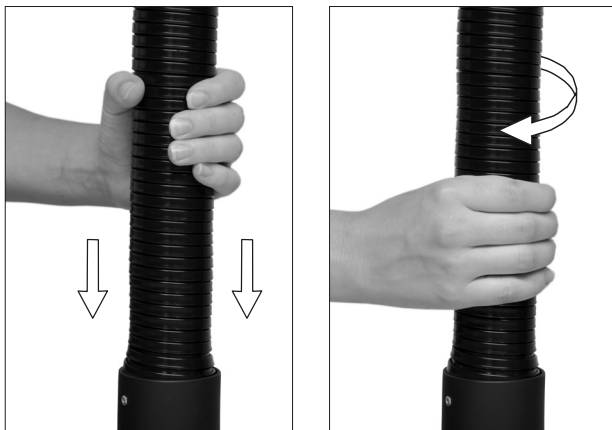


## Features



## Arm assembly

- When the flexible arm loses firmness, it must be re-compressed.
- For a greater compression, turn it slightly clockwise.
- Once the arm is compressed, adapt its position again.



## Nozzles

You can replace the supplied nozzle and choose the one that best suits your needs.



**Round Nozzle for FAE Fume Extractor**  
Ref. FAE081



**Rectangular Nozzle for FAE Fume Extractor**  
Ref. FAE080

## Nozzle Replacement



- Turn the nozzle and pull out to remove it.



- A bayonet fitting system allows the proper connection between the flexible arm and the nozzle.



- The nozzles are designed to work with the arm suspended and also supported on the work bench.





# Specifications

- Weight: 1,23 kg (2.71lb)
- Length: 1 m (39.37 in)
- Diameter: 50 mm (1.97 in)

Complies with CE standards.  
ESD protected.

# JBC

---

## Warranty

JBC's 2 year warranty covers this equipment against all manufacturing defects, including the replacement of defective parts and labour.

Warranty does not cover product wear or misuse.

In order for the warranty to be valid, equipment must be returned, postage paid, to the dealer where it was purchased.

**Register your warranty within 30 days of purchase in [www.jbctools.com/productregistration](http://www.jbctools.com/productregistration)**

---



This product should not be thrown in the garbage.

In accordance with the European directive 2002/96/EC, electronic equipment at the end of their life must be collected and returned to an authorized recycling facility.



Manual in other languages available on our website

**[www.jbctools.com](http://www.jbctools.com)**