

JBC

www.jbctools.com



Electric Desoldering Module

Ref. MS-A

PACKING LIST

MS-A
Electric Suction Module



0010207
Module Cable connector



MANUAL



0821830
Suction Filter



0005966
50 Filters Box



0781046
Cotton Filters



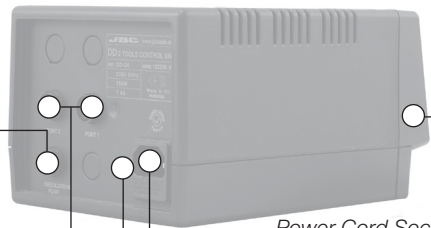
INSTALLATION

MS-A
Electric Suction Module

Connectable control units:
DI, DD, DDR, DM.

Connectable Compact line:
CS

DD-2B
Control Unit



USB connector to PC

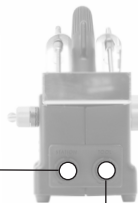
Power Cord Socket

Equipotential connection

DR560-A
Desoldering Iron



DR-SD
Desoldering Stand

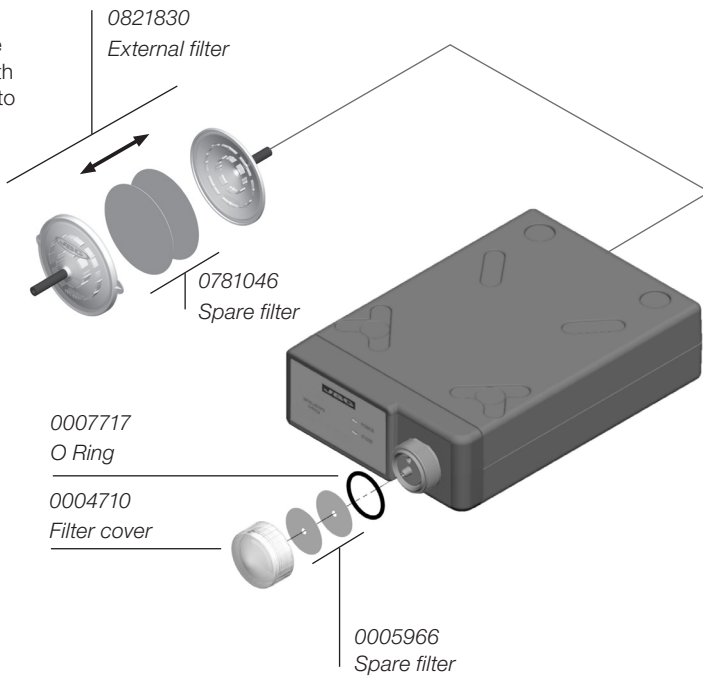


ELECTRIC SUCTION MODULE ELEMENTS



CHANGING PUMP FILTERS

IMPORTANT
Do not open the external filter with sharps in order to avoid damage



TECHNICAL SPECIFICATIONS

- Weight of complete unit: 1,2 Kgs.
- Complies with CE standards on electrical safety, electromagnetic compatibility and ESD protected housing "skin effect".
- RoHS compliant.
- Equipotential connector and the tool tip are connected to station mains ground supply for ESD protection.



This product should not be thrown in the garbage.

JBC

WARRANTY

JBC's 2 years warranty guarantees this equipment against all manufacturing defects, covering the replacement of defective parts and all necessary labour.

Warranty does not cover product wear due to use or mis-use.

In order for the warranty to be valid, equipment must be returned, postage paid, to the dealer where it was purchased enclosing this fully filled in, sheet.
