

BGA / QFP Rework System WQB 4000SOPS



Operating Instructions

Version 1.2.7

1 Table of contents

1	TABLE OF CONTENTS.....	2
2	IDENTIFICATION	6
2.1	PRODUCT BRAND AND TYPE DESIGNATION	6
2.2	PRODUCT VERSION	6
2.3	NAME AND ADDRESS OF MANUFACTURER	6
2.4	DECLARATION OF CONFORMITY	7
3	PRODUCT DESCRIPTION.....	9
3.1	GENERAL FUNCTIONS, AREA OF APPLICATION, INTENDED USE	9
3.2	BASIC DEVICE	9
3.3	SOLDERING HEAD	10
3.4	INSERTION HEAD.....	11
3.5	CAMERA AND SPLIT OPTICAL UNIT	11
3.6	BOTTOM HEATER	11
3.7	PCB HOLDER	11
3.8	DIMENSIONS AND WEIGHT	12
3.9	SPECIFICATIONS ON CURRENT, GAS AND COMPRESSED AIR SUPPLY	12
3.10	PC SYSTEM REQUIREMENTS	12
3.11	NOISE EMISSION.....	13
3.12	AMBIENT CONDITIONS	13
3.13	SAFETY INFORMATION.....	13
4	DEFINITIONS.....	14
5	TRANSPORT AND STORAGE.....	14
5.1	UNPACKING.....	15
5.2	SAFE DISPOSAL OF THE PACKAGING MATERIAL.....	15
5.3	PREPARATORY TASK FOR INSTALLATION.....	16
5.4	SCOPE OF SUPPLY	16
5.5	ASSEMBLY	17
5.5.1.1	Assembly 10 x zoom lens.....	18
5.5.1.2	Storing and protecting during interruption of normal usage.....	18
5.6	REPACKING TO PREVENT DAMAGE DURING TRANSPORT.....	18
5.5	LOCATION OF OPERATING INSTRUCTIONS.....	19
6	OPERATING INSTRUCTIONS.....	19
6.1	COMMISSIONING / RESTARTING.....	19
6.2	SOFTWARE INSTALLATION	20
6.3	INSTALLATION OF THE SILABS USB DRIVERS.....	21

6.4	INSTALLATION OF THE U'EYE CAMERA DRIVER	22
6.5	INSTALLATION OF DIRECTX 9.....	24
6.6	INSTALLATION OF THE WELLER WQB4000 CONTROL SOFTWARE	25
6.7	CHANGE OF THE SETTINGS OF THE CPU IDLE STATES	26
6.8	INSTALLATION OF THE FIRMWARE UPDATER	27
6.9	UNINSTALL	27
6.10	PROGRAM START	28
6.11	CHECKING THE SPLIT OPTICAL UNIT.....	28
7	OPERATION	30
7.1	LAYOUT AND FUNCTION OF OPERATOR INTERFACE	30
7.2	STANDARD BUTTONS:.....	30
7.3	PLACEMENT	31
7.3.1.1	Control unit LED Illumination	31
7.3.1.2	Camera screen and zoom	31
7.3.1.3	Camera settings	32
7.3.1.4	Placement / Z-axis drive	32
7.4	SOLDERING	33
7.4.1	<i>Soldering profile bar graph</i>	33
7.4.2	<i>Input boxes for process parameters</i>	33
7.4.3	<i>Display LEDs for process step</i>	34
7.4.4	<i>Saving and loading parameter blocks / profiles</i>	35
7.4.5	<i>Soldering / desoldering functions - runtime:</i>	35
7.4.6	<i>Reinitialisation</i>	36
7.4.7	<i>Language selection</i>	36
7.4.8	<i>Celsius / Fahrenheit</i>	36
7.4.9	<i>Process documentation</i>	36
7.5	PRINT FUNCTION	37
7.6	SPECIAL FUNCTIONS	38
7.6.1	<i>Gradient</i>	38
7.6.2	<i>Teach-in</i>	38
7.6.2.1	Automatic Teach-in	39
7.6.2.2	Manual Teach-In	39
7.7	OTHER FUNCTIONS	40
7.7.1	<i>Operating the soldering head and insertion head</i>	40
7.7.2	<i>Component placement</i>	40
8	MAINTENANCE AND CLEANING	41
8.1	SAFETY MEASURES.....	41
8.1.1	<i>The mains cable must only be inserted in the approved power sockets or adapters...</i>	41
8.1.2	<i>Keep your work area tidy and in proper order.....</i>	41

8.1.3	Take surrounding factors into consideration.....	41
8.1.4	Protect yourself against electric shocks.....	41
8.1.5	Keep children away from work area.....	41
8.1.6	Store your soldering tool in a safe place.....	41
8.1.7	Do not overload your soldering tool.....	41
8.1.8	Use the correct soldering tool.....	41
8.1.9	Wear suitable work clothing.....	41
8.1.10	Protect your eyes.....	41
8.1.11	Always use a soldering fume extraction device.....	41
8.1.12	Do not use the cable for purposes for which it is not designed.....	41
8.1.13	Secure the tool.....	41
8.1.14	Avoid abnormal body posture.....	41
8.1.15	Take care of your soldering tools.....	42
8.1.16	Remove the plug from the power socket before opening the unit.....	42
8.1.17	Make sure all maintenance tools are removed.....	42
8.1.18	Avoid unintentional/accidental operation.....	42
8.1.19	Remain attentive.....	42
8.1.20	Inspect the soldering tool for any damage.....	42
8.1.21	Important.....	42
8.1.22	Have your soldering tool repaired in an electrical service centre.....	42
8.1.23	Do not work on electrically live parts.....	42
8.1.24	Do not connect combustible gases.....	42
8.1.25	Use with other WELLER® devices.....	42
8.1.26	Observe the safety regulations applicable to your work area.....	42
8.2	MAINTENANCE AND CLEANING BY USERS.....	43
8.3	CLEANING AGENTS.....	44
8.4	TROUBLESHOOTING, FAULT STATUS DIAGNOSIS AND REPAIR.....	44
8.5	POSSIBLE FAULTS.....	46
9	OPTIONAL MODULES AND EXTRAS, SPECIFICATIONS.....	47
10	MAINTENANCE AND CLEANING.....	47
10.1	MAINTENANCE CYCLES FOR SAFE OPERATION.....	47
10.2	CUSTOMER SERVICE ADDRESS.....	47
10.3	REPACKING.....	47
10.4	CALIBRATION.....	48
11	LIST OF SPARE PARTS AND CONSUMABLES.....	51
11.1	ELECTRICAL SYSTEM.....	51
11.2	PNEUMATICS.....	51
11.3	OPTICAL SYSTEM.....	51
11.4	HOT AIR NOZZLES.....	52

12 DE-COMMISSIONING THE PRODUCT53
13 WARRANTY53
14 FIGURES54
15 CIRCUIT DIAGRAMS59
16 NOTES61
17 INDEX62

2 Identification

2.1 Product brand and type designation

Thank you for placing your trust in our company by purchasing the repair station WQB 4000SOPS.

Production was based on stringent quality requirements which guarantee the perfect operation of the BGA / QFP Rework System WQB 4000SOPS.

2.2 Product version

This version is the WQB 4000SOPS with standard 10x zoom lens ½" 13-130 mm.

2.3 Name and address of manufacturer

Weller Tools GmbH
Carl-Benz-Straße 2
74354 Besigheim, Germany

+49 (0)7143 580-0

+49 (0)7143 580-108

E-mail: info@weller-tools.com

www.weller-tools.com

2.4 Declaration of Conformity



Weller

EG-Konformitätserklärung
EC DECLARATION OF CONFORMITY

Name und Anschrift des Herstellers: **Weller Tools GmbH**

Name and address of producer: Carl-Benz-Strasse 2
D-74354 Besigheim

Produktbezeichnung:

BGA/QFP Reperatursystem
BGA/QFP Rework System

Description:

Typenbezeichnung: **Weller**

WQB 4000 SOPS

Model No.:

Wir erklären, dass die bezeichneten Produkte die Bestimmungen folgender Richtlinien erfüllen:

We declare that the designated equipment complies with following EC Directives:

Maschinenrichtlinie
Machinery Directive

2006/42/EG
2006/42/EC

Angewandte harmonisierte Normen:
According to harmonized standards:

DIN EN 60 745-1: 2010-01
 DIN EN 60 745-2-2: 2009-07, 2010-06
 DIN EN 60 204-1: 2007-06
 DIN EN ISO 12100-1 / A1: 2009-10
 DIN EN ISO 12100-2 / A1: 2009-10

und EMV-Richtlinie
and EMC Directive

2004/108/EG
2004/108/EC

Angewandte harmonisierte Normen:
According to harmonized standards:

DIN EN 55 014-1: 2003-09
 DIN EN 55 014-2: 2002-08
 DIN EN 61 000-3-2: 2006-10
 DIN EN 61 000-3-3: 2006-06

Datum: 2012-07-16 Unterschrift:

Date:

Signature:

Funktion des

Name: T. Fischer

Unterzeichners:

Position:

Technischer Leiter
 Director Engineering
 Dokumentationsbevollmächtigter
 Authorized for Documentation

S. Hofmann

Geschäftsführer
 General Manager

Ausgabe / Revision 3 ersetzt / supersedes 2

Sitz der Gesellschaft: Besigheim
 Amtsgericht Stuttgart, HRB 300137
 Geschäftsführer: Stephan Hofmann, Martin Kürzinger
 Steuernummer: 55001/00759 | USt-IdNr. DE 144958284

06 8 3106 1111

These instructions contain important information which will help you to start up, operate and service the WQB 4000SOPS repair station safely and correctly as well as to eliminate simple faults/malfunctions yourself.






- The installation and commissioning of machines supplied by us must only be carried after careful reading of the Operating Instructions and by authorised specialist personnel.
- These Operating Instructions should be printed out and made available to all users.

Important information is identified in these Operating Instructions by means of pictographs.

This makes it possible to recognise important information immediately.

The following section explains the meaning of these pictographs:

	Important notices This section must receive particular attention
	Dangers / safety note Example: Hot surface Risk of burns if handled incorrectly
	Problems/frequent faults

In some text passages, you will encounter reference digits, example: (10), which refer to chapter 13 Figures.

3 Product description

3.1 General functions, area of application, intended use

The WQB 4000SOPS has been designed as a rework and laboratory device.

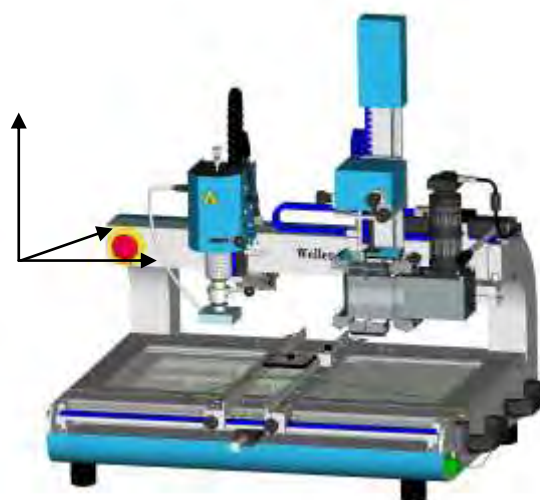
It is used for reworking circuit boards by replacing defective

BGA and FINEPITCH components, and for the assembly of circuit boards in a laboratory context.

Universal circuit board repair of BGA as well as FINEPITCH components requires effective preheating of the circuit board from below and specific heating of the components to be repaired from above up to the reflow temperature in conjunction with reliable process control. In the WQB 4000SOPS, the temperature-controlled 2-zone infrared bottom heater ensures rapid heating up and homogeneous substrate temperatures. The hot-gas top heater with digital regulation electronics for temperature monitoring and air volume control makes a finely dosed heat energy supply to the components possible. A temperature sensor positioned directly in the hot-gas nozzle ensures efficient control of the top heater and therefore offers maximum process safety. Three further external sensors are available for improved process monitoring. In addition, the software-controlled table separates and brings together the positioning and soldering processes for easier handling without compromising process safety.

All the process steps can be programmed, stored and also read in to the computer via the accompanying WQB 4000 Control software. All the important process parameters are shown on the display screen during the process sequence. The software provides support in determining temperature profiles and thereby enables the optimum soldering-process data to be defined in the simplest way. An extensive range of special functions facilitates process adaptation to many different marginal conditions and thereby enable repairs to be made even to the most difficult subassemblies.

After desoldering and cleaning of the circuit board, the split optical unit positioning system is used for re-placement. This system uses a digital 2 megapixel camera and two coloured LED lights to provide an image of the circuit board and an image of the component's contact surface. Coincident alignment is effected by x-, y- and theta precision adjustment of the positioning unit and the established Picture in Picture process.



3.2 Basic device

- Sturdy, torsion-free cast-aluminium construction with precision machining
- Antistatic powder coating
- Height-adjustable table feet
- Motor-controlled movement of the transportation table in the x-direction
- 3 additional type K thermocouples can be connected for temperature-profile determination
- Control electronics and pneumatic unit integrated in the rear aluminium housing and in the table, tunnel-shaped passage for very long circuit boards
- USB 2.0 port for PC control
- Connection for optional vacuum pipette
- Connection option for compressed air or nitrogen
- Carrying grips

3.3 Soldering head

- Precision linear guide for z-adjustment, approx. 80 mm travel
- Infinitely variable depth stop by means of threaded spindle
- Theta adjustment of the heating head in a range from -5° to 95°
- Nozzle quick-release fastener
- "Vacuum Lift" for automatically desoldering components, infinitely height-adjustable vacuum tube, 10 mm adjustment range
- Hot gas temperature sensor connection in the soldering head
- Heating element Max. 700 W power output
- For cooling the PCB
- Vibration-free lowering and lifting off of the soldering head by a rotation brake
- Sealed construction for industrial applications
- Safety cutout prevents table movement when the soldering head is lowered

3.4 Insertion head

- Precision linear guide for z-adjustment, approx. 230 mm travel
- x-, y- and theta precision guides for component alignment
- Motor-controlled lowering of the insertion head with limit switches at both ends
- Anti-rotation guidance of the vacuum pick-up with 2.7 N placement force
- Automatic deactivation of the vacuum pick-up by a sensor system on the insertion head
- Sealed construction for industrial applications
- Attractive design, all incoming cables protected and covered

3.5 Camera and split optical unit

- 2.0 megapixel CMOS USB 2.0 camera
- Split optical unit for precise and controlled alignment of component with respect to PCB
- Red lighting of the circuit board for maximum contrast between circuit board material and solder joints
- Blue lighting of the component for optimum positioning by increasing the contrast
- Safety mechanism for protecting the insertion head
- Standard 10 x zoom lens ½" 13-130 mm

3.6 Bottom heater

- High-temperature ceramic radiator (long-wave infrared radiation, $\lambda \approx 2 - 10 \mu\text{m}$)
- Small preheating zone: 400 W approx. 125 x 125 mm²
- Large preheating zone: 1600 W approx. 270 x 270 mm²
- Temperature control by thermocouple, integrated in the central radiator
- Grid cover plate prevents accidental contact

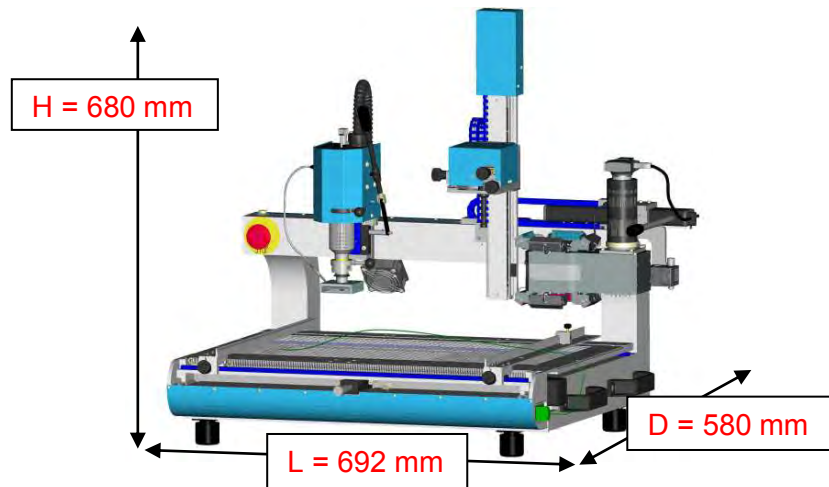
3.7 PCB holder

- Horizontal travel transportation table with precision linear guidance
Setting accuracy ± 0.02 mm
- Micro-drive in the y-direction, adjustment range ± 10 mm, adjustment accuracy ± 0.05 mm
- Precision linear guide unit with 2 carriages for the clamping arms
- Return springs for simple PCB assembly
- Connection option for 3 x thermocouple type K
- Circuit board size: work area:

smaller than 500 x 465 mm	+/- 80 mm outside the centre axis
smaller than 350 x 465 mm	complete circuit board
smaller than 250 x unrestricted	complete circuit board

3.8 Dimensions and weight

Dimensions (L x D x H):



Total weight: approx. 40 kg

3.9 Specifications on current, gas and compressed air supply

Mains voltage: 230 V, 50/60 Hz

Mains fuse : T10 A

Power output: 2300 W

Top heater: 700 W

Bottom heater: large 1600 W (260 x 260) mm
small 400 W (120 x 120) mm

Compressed-air supply: 400 – 600 kPa purified, dry compressed air.

Compressed air converter: vacuum 60 kPa

Temperature control: Fully adjustable between 50 °C – 400 °C
Accuracy ± 10 °C

Flow control: infinitely variable 5 – 50 l/min.

Air consumption: 60 - 100 l/min. (4 bar)

Noise emission: < 69 dB / 1 m

3.10 PC system requirements

- Intel Pentium or comparable CPU with at least 2 GHz, min. 1024 MB RAM
- Operating system: **WIN 2000 SP4, WIN XP SP2, WIN Vista 32-Bit Win 7 32-Bit & 64-Bit**
- Graphics card with recommended resolution min. 1280x1024, min. 16-bit colour depth DirectX Support
- CD-ROM for Instillation
- USB 2.0 port full powered (500 mA), (camera current consumption 300-350 mA)

3.11 Noise Emission

The noise exposure level is ≤ 80 dB(A). No further measures are therefore necessary.

in conjunction with other units in the direct vicinity, the overall noise level can increase. In such cases please initiate the measures listed in the table.

<ul style="list-style-type: none"> • $L_{A,eq} \geq 80$ dB(A) or $L_{C,peak} \geq 135$ dB(C) 	<ul style="list-style-type: none"> • Inform employees and provide instruction on dangers of noise
<ul style="list-style-type: none"> • $L_{A,eq} > 80$ dB(A) or $L_{C,peak} > 135$ dB(C) 	<ul style="list-style-type: none"> • Provide suitable ear protectors • Offer employees occupational medical check-ups
<ul style="list-style-type: none"> • $L_{A,eq} \geq 85$ dB(A) or $L_{C,peak} \geq 137$ dB(C) 	<ul style="list-style-type: none"> • Identify noisy areas and restrict access • Employees must wear ear protectors • Arrange for regular check-up in accordance with G 20 Compulsory examination
<ul style="list-style-type: none"> • $L_{A,eq} > 85$ dB(A) or $L_{C,peak} > 137$ dB(C) 	<ul style="list-style-type: none"> • Prepare and implement a noise reduction programme

(Source: www.bq-laerm.de)

3.12 Ambient conditions

Dynamic dimensions: approx. 1090 x 600 x 680 mm

Only to be used in enclosed rooms.

3.13 Safety information

The WQB 4000SOPS repair station has been manufactured in accordance with state-of-the-art technology and recognised safety rules and regulations. There is nevertheless the risk of personal injury and damage to property if you fail to observe the safety information set out in the accompanying booklet and the warnings given in these instructions. If the WQB 4000SOPS repair station is passed on to third parties, always hand over the Operating Instructions and the enclosed safety booklet as well.



When using solder additives, always observe the respective safety data sheets.

The manufacturer will not accept liability for use that deviates from that specified in the Operating Instructions and for unauthorised modifications.

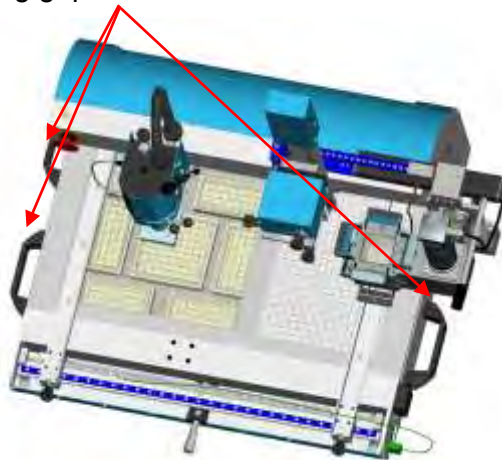
These Operating Instructions and the warning notices contained therein must be read carefully and kept in an easily accessible place close to the soldering equipment. Failure to observe the warning notices may give rise to accidents and injuries or result in your health being damaged.

4 Definitions

BGA	- Ball Grid Array
USB	- Universal Serial Bus
SOPS	- Split Optical System
CMOS	- Complementary Metal Oxide Semiconductor
kPa	- Kilo Pascal (400-600 kPa = 4-6 bar)
LED	- Light Emitting Diode
Rework	- Repair
Reflow temperature	- reflow soldering temperature
Soldering	- soldering process
Placement	- positioning
Component	- part/preparation for product for usage

5 Transport and storage

The WQB 4000SOPS must only be dispatched in the designated transport packaging. For transport within the company, e.g. change of workplace or for maintenance work, the machine must only be lifted by the carrying grips.



If the device is lifted by the heating head, the split optical unit, the circuit board carriage or the placement unit, this can result in damage.

Lifting by the heating head can result in burns.

If intermediate storage is necessary, the device must be replaced in its transport packaging. This transport packaging must never be placed on damp / wet ground.

5.1 Unpacking



Prior to assembly / installation, the device must be checked for completeness.

This is carried out in the following steps:

- Inspect transport packaging for visible damage
- Lift off transport box

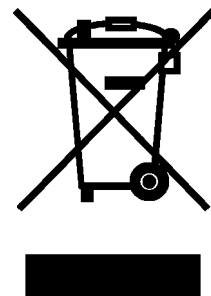
In addition, for ocean transport:

- + release fastening on base
- + lift off transport crate
- Remove transport box for accessories
- Check accessories for completeness in accordance with delivery list
- Remove transport padding
- Lift the WQB 4000SOPS without transport padding (2 persons) out of the transport packaging by means of the carrying grips and place on a firm base (table, trolley, etc.)
- Carry out visual inspection for damage

For subsequent intermediate storage and / transport, the transport packaging must be stored in a dry storage area. If this is no longer necessary, refer to 5.2.

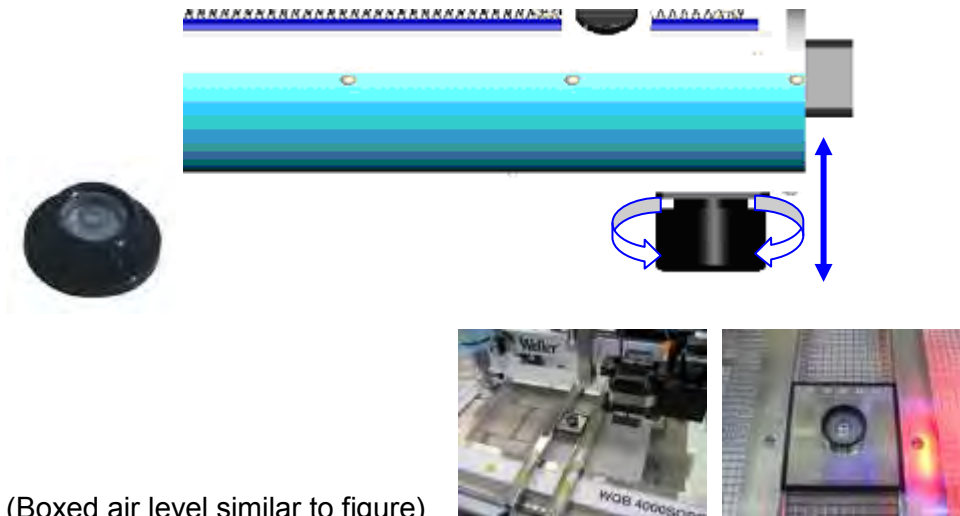
5.2 Safe disposal of the packaging material

A RoHS conformity declaration exists for all packaging elements. When disposing of packaging material, the statutory provisions and regulations of the respective country must be observed.



5.3 Preparatory task for installation

Use the level supplied to align the WQB 4000SOPS horizontally by turning the adjustable feet (boxed air level on calibration tool in PCB holder)



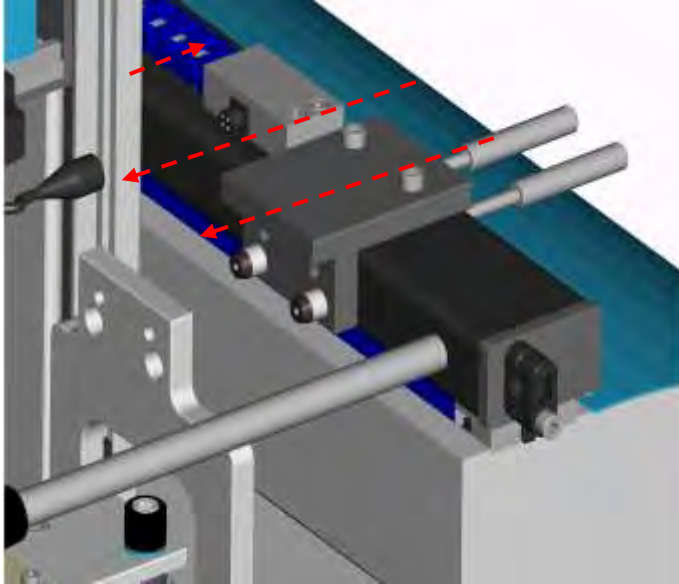
5.4 Scope of supply

- Basic device with bottom heater, transportation table with PCB holder, soldering head, insertion head, control electronics and integrated pneumatic unit
- Optical unit consisting of camera, lens and split optical unit
- SOPS assembly and calibration set
- Temperature sensor PT-100 for the top heater
- Thermocouple type K 0.1 mm
- Nozzle changer
- Mains connection cable
- USB 2.0 cable type A / type B 1.8 m
- USB 2.0 cable type A / type Mini-B 1.8 m
- Y-distributor
- Compressed air tube dia. 6 mm
- Screwdriver set, Allen key drive
- T-grip for screwdriver set
- WQB 4000SOPS Quick Start Guide on CD-ROM
- Operating Instructions WQB 4000SOPS on CD-ROM
- Safety information
- **WQB 4000SOPS Control software** on CD-ROM Installation and Assembly

5.5 Assembly

Prior to assembly of the WQB 4000SOPS, the software must be installed in accordance with chapter 6.2.

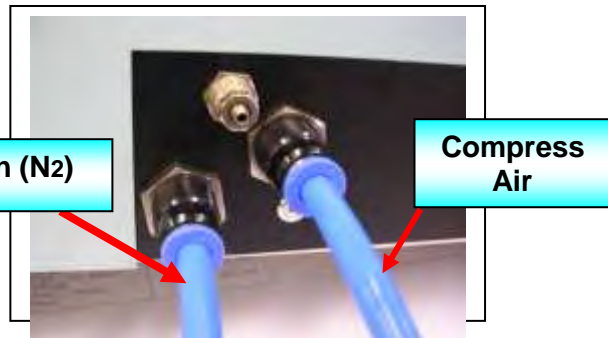
Following software installation, assemble the WQB 4000SOPS.



- Take the split optical unit from the transport crate and secure as shown in the illustration
- After it has been secured with the supplied stud bolts (**tightening torque 2 Nm**), connect the optical unit with the plug connector
- Connect the USB cable (Mini type) to the camera and then the PC
- Secure USB cable against damage with the strain relief
- Connect the WQB 4000SOPS with the supplied USB cable to the PC
- Connect the compressed air tube



Only compressed air

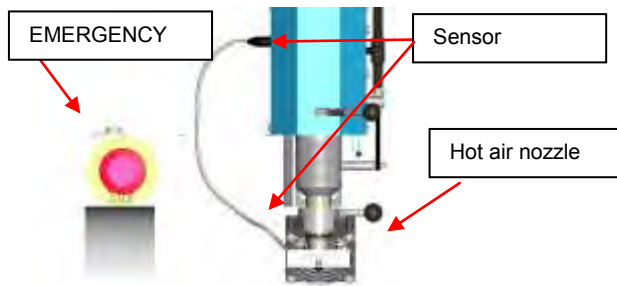


Compressed air & nitrogen (N2)



+ without nitrogen, use Y-connector to join a second compressed air tube to the nitrogen connection
 + observe pressure controller, **maximum pressure 6 bar**

- Connect nitrogen
- Check that the mains voltage matches the specification on the type plate, (**insert mains cable only if it matches**)
- Check that the EMERGENCY STOP button is unlocked

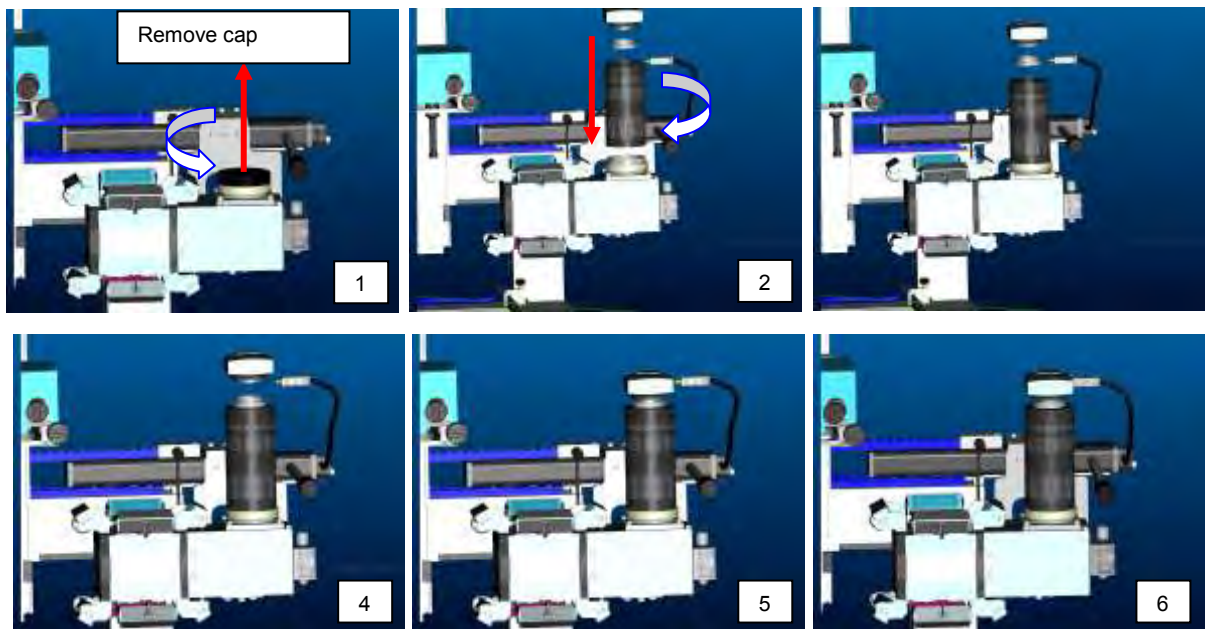


- Connect sensor and hot air nozzle to the device
- Insert the temperature-sensor plug in the connection socket on the soldering head.

5.5.1.1 Assembly 10 x zoom lens

Assembly 10 x zoom lens and camera

(Normal lens with camera is preassembled when delivered)



For installation of the 10 x zoom lens, the cover cap on the optical unit housing must be removed. The zoom lens is then assembled as shown in the illustration above.

5.5.1.2 Storing and protecting during interruption of normal usage

If the WQB 4000SOPS is taken out of service after a period of normal usage, the following steps should be carried out:

- Switch off the mains voltage for the WQB 4000SOPS and the connected PC
- Disconnect the compressed air / nitrogen supply
- The WQB 4000SOPS must be stored in a safe place in its transport packaging.

5.6 Repacking to prevent damage during transport

The WQB 4000SOPS must only be dispatched in its original transport packaging. For this purpose, the packaging must be kept in a dry storage location.

5.5 Location of Operating Instructions

These Operating Instruction must be printed out and made available to the operator. They are an element of the WQB 4000SOPS and should be available within reach at the workplace.

6 Operating Instructions

6.1 Commissioning / restarting

Operation of the unit requires installation of the software "WQB4000 Control". The installation is explained and a description of the software is provided in detail in chapter 6.2 "Software Installation". After installing the software, the device is switched on and the software is started. To start the software, select "Start => Programs => WQB4000Control". When software is started, a dialog box in which the serial number of the device is entered appears first. The number is on a type plate on the rear panel. A dialog box for a reference run of the transportation table and the placement unit then appears. The soldering head must be raised and the split optical unit must be at the right-hand stop for the reference run. These positions are confirmed in the software with a green status display and enable the reference run. Start the reference run with "GO".



This procedure is necessary every time the device is restarted!

The optical unit removed for transportation has been pre-adjusted at the factory. Due to the accuracy level required, however, it must be checked again following assembly on the base frame and, if necessary, readjusted as described in chapter 10.4.



The top and bottom heaters must be deactivated and cold during adjustment so as to avoid the risk of burns.

6.2 Software Installation

Registration with Administrator rights is mandatory!

- The device must not be disconnected.
- To avoid installation conflicts, older software versions should be deinstalled. Especially the SILABS USB driver should be removed



The following illustrations may deviate, or be skipped over, as a result of updates from the software producer.

Inserted the software CD included in the delivery in the drive. The Installation Assistant will guide you through the installation. Open the "SOFTWARE" tab.



To start the respective installation steps, the respective buttons are worked through in the specified sequence one after the other.

STEP 1

6.3 Installation of the SILABS USB drivers

The installation of the Silicon Labs USB driver is started by clicking the mouse on the **SILABS** button.

SILABS USB Driver Vers. v6.00



Following this, you will be menu-guided through the entire 1st step of the installation.



Click on "Next"



Accept the license agreement and press "Next"



... "Next"



... "Install"



... "Finish"



... "Install"

STEP 2

6.4 Installation of the uEye Camera driver

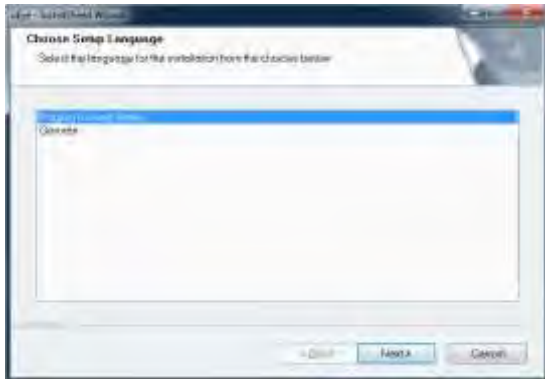
Choose the right version of the uEye Camera driver, depending on your operating System.

uEye Camera Driver Vers. 3.82

32 Bit

64 Bit

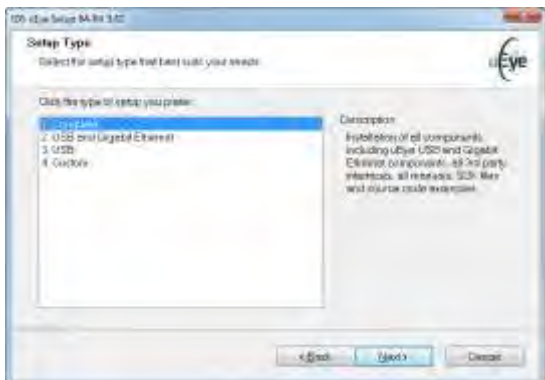
Following this, you will be menu-guided through the entire 2nd step of the installation.



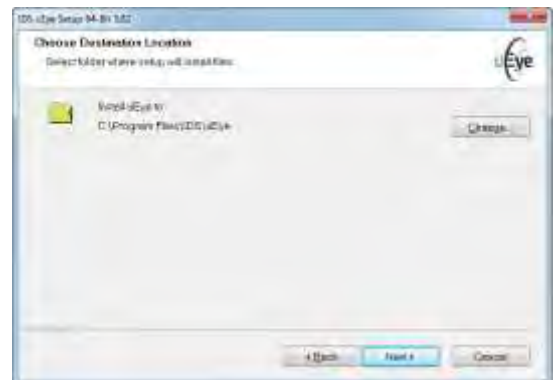
Choose your Language and press "Next"



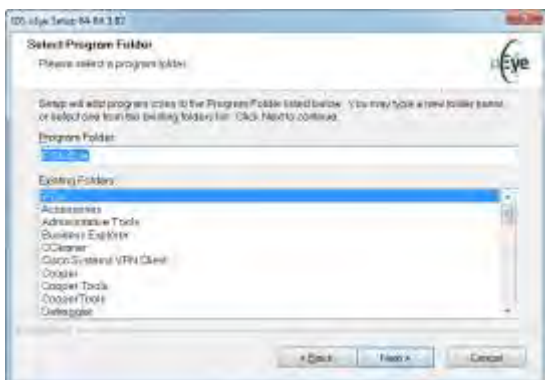
... "Install driver" ...



Select Setup type ...Next...
(we recommend "Complete")



... "Next" ...



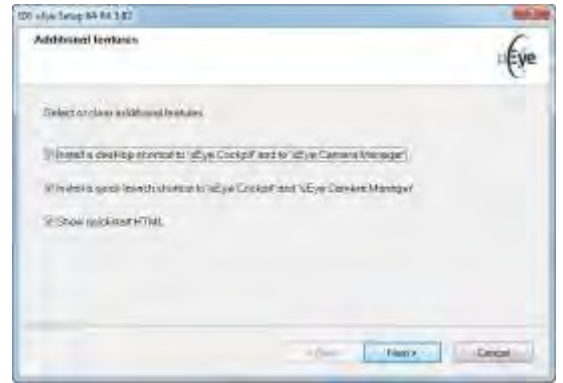
... "Next" ...



... "Next" ...



...”OK”...



...”Next”...



Close Internet Explorer



...”OK”...*(for more information see 6.7)*



...”Finish”

STEP 3

6.5 Installation of DirectX 9

The Installation of DirectX 9 is also necessary if you have already installed a newer DirectX version.

The installation process of DirectX 9 is started by clicking the mouse on the corresponding button.

DirectX 9.29.1962 (June 2010)



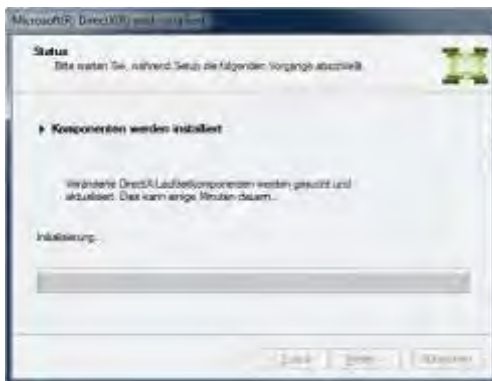
Following this, you will be menu-guided through the entire 3rd step of the installation.



Accept the license agreements and continue with "Next"



... "Next" ...



Wait



... "Finish" ...

STEP 4

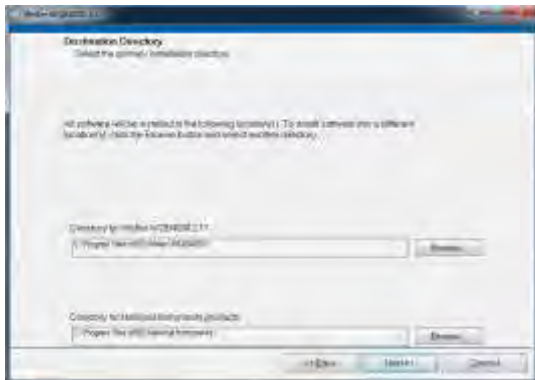
6.6 Installation of the Weller WQB4000 Control software

The installation process of the WQB4000 Control software is started by clicking the mouse on the corresponding button.

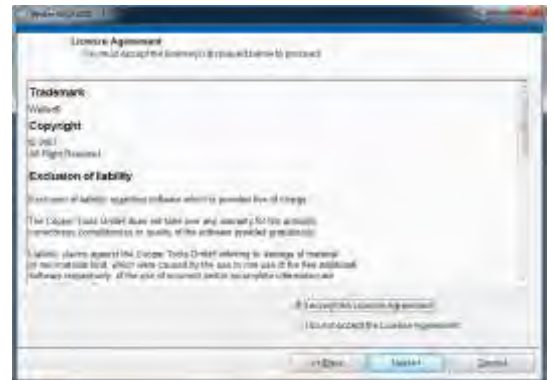
Weller WQB4000 Control Vers. 2.17



Following this, you will be menu-guided through the entire 4th step of the installation.



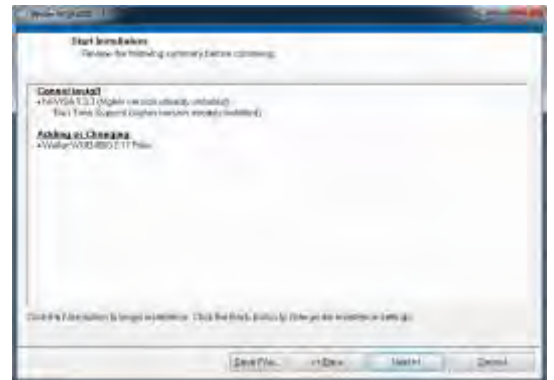
...”Next”...



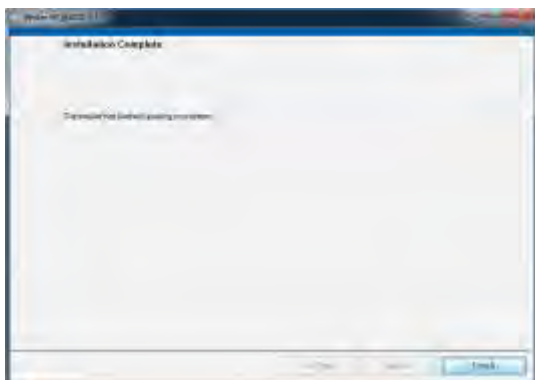
Accept the license agreements and continue with “Next”



Accept the license agreements and continue with “Next”



...”Next”...



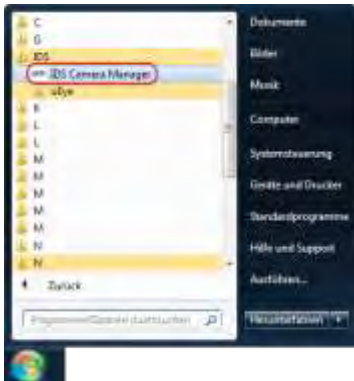
...”Finish”

Restart the Computer after you have finished the Installation.

Following this, the installation is complete.

6.7 Change of the settings of the CPU idle states

If you are experiencing performance issues with uEye cameras, please try to change the settings of the CPU idle states.

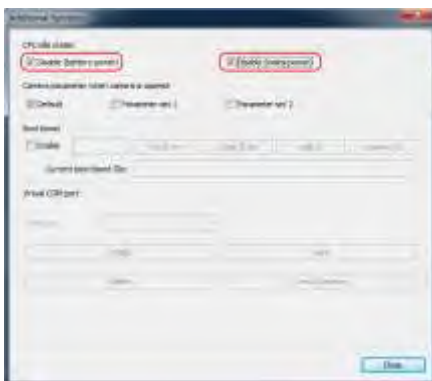


Start the "IDS Camera Manager".

You find this Program in: Start menu/ids/IDS Camera Manager



Open the "Additional functions" in the "IDS Camera Manager"



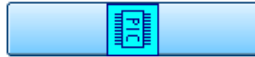
Activate the two "Disable" check boxes for the "CPU idle states"

6.8 Installation of the firmware updater

The installation of the firmware updater is not necessary for correct operation of the device; installation of this software is therefore only recommended if required.

The installation process of the optional firmware updater is started by clicking the mouse on the corresponding button.

FirmwareUpdater



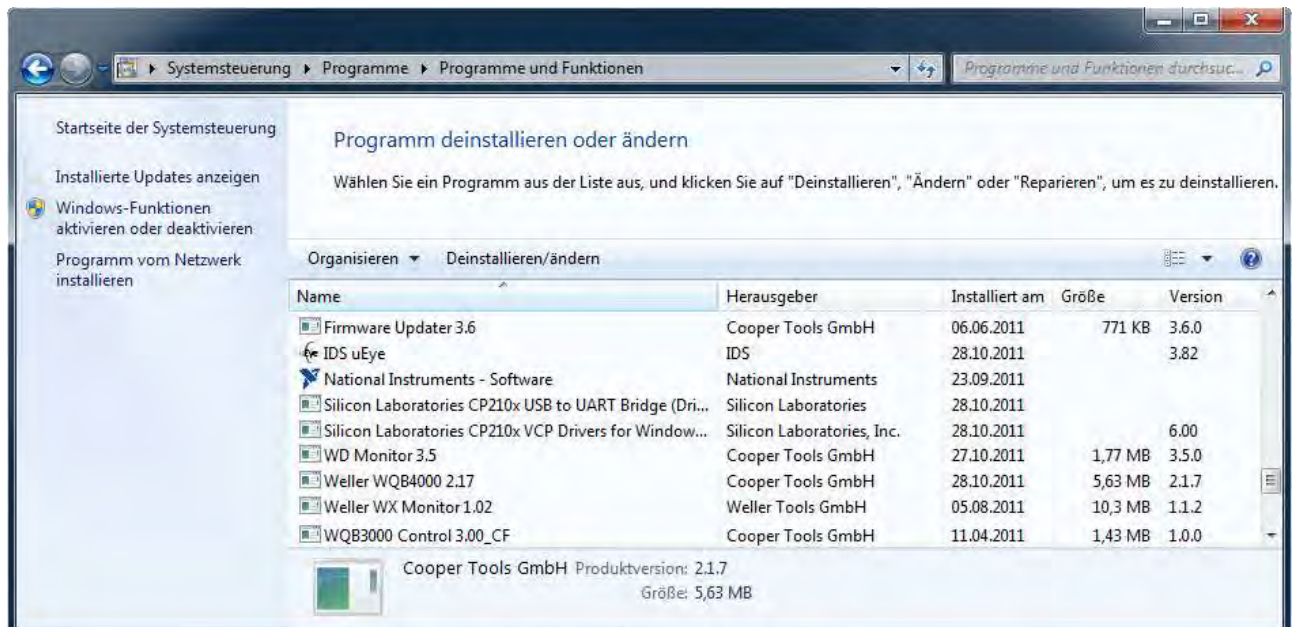
The detailed installation process is described in the separate Installation Instructions of the Firmware Updater.

6.9 Uninstall



During the installation in Windows, an entry was made in each case in the Control Panel in the Software section, which can be used to delete the software fully automatically.

Back up your parameter blocks or measurement data files before you uninstall the program from your system.



Before installing the software again, the existing installation must be removed completely.

6.10 Program Start

To start the software, select "Start => Programs => WQB4000Control". When software is started, a dialog box for a reference run of the transportation table and the placement unit appears first. The soldering head must be raised and the split optical unit must be at the right-hand stop for the reference run. These positions are confirmed in the software with a green status display and enable the reference run. Start the reference run with "GO".

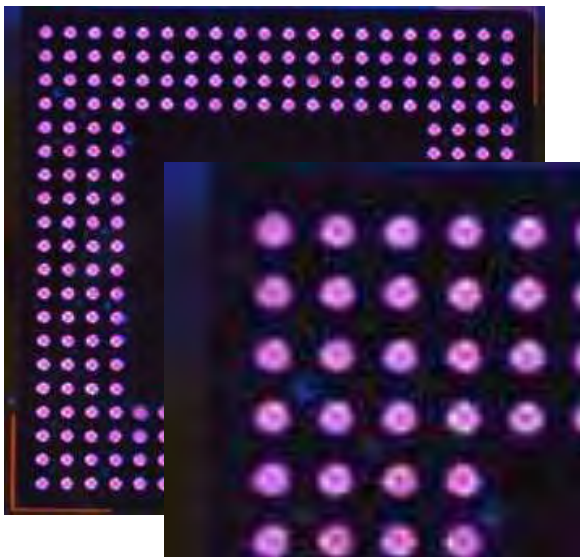
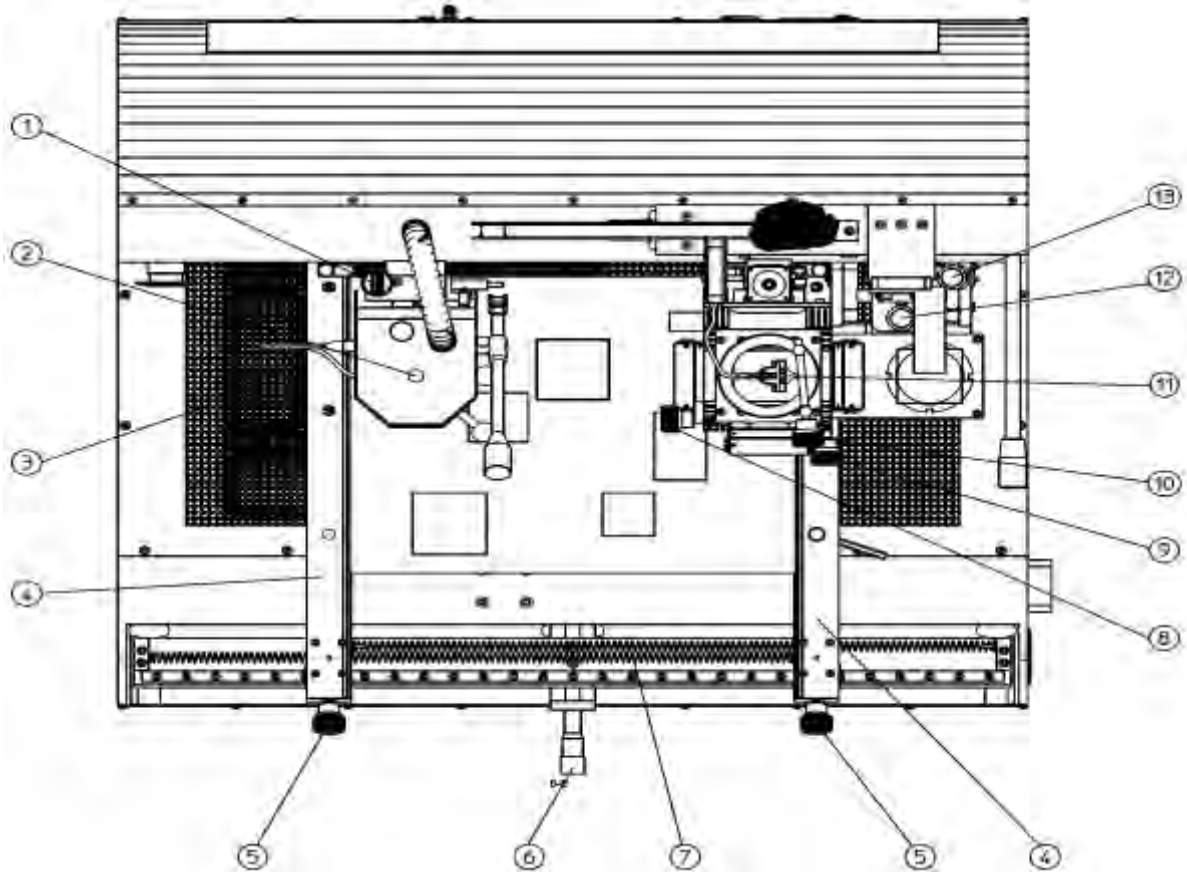


6.11 Checking the split optical unit

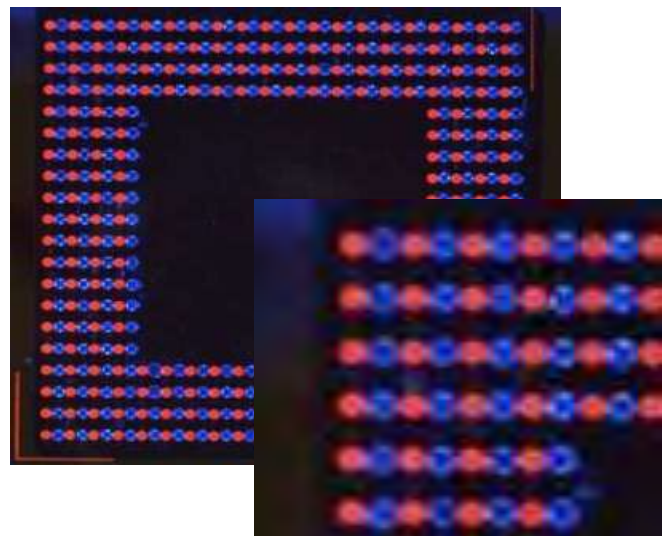
1. In order to check, the **Placement** tab must be opened and the table must be in placement position
2. Insert the calibration template in the PCB holder and activate the frame or cross-hairs
3. Align calibration template centrally in relation to the faded in frame or cross-hairs (clamping screws of the PCB holder ⑤, micrometer screw ⑥)
4. Place component in template; the optical unit is at the left-hand stop
5. Align insertion head with ⑧⑨ centrally in relation to component
6. Move optical unit to right-hand stop (green LED)
7. Activate Automatic mode in the Z-axis drive
8. Set Pos. is used to lower the insertion head, automatically pick up the component and to move into Align Pos.



9. **Important. Following this, the vacuum pick-up alignment must not be changed!**
10. Move optical unit to the left
11. Use the arrow keys to adapt component and template to same size
12. The red and blue dots must now be flush.
13. If the dots are not in alignment, the optical unit must be calibrated (for exact description, see chapter 10.4 Calibration)



Dots are calibrated in alignment with split optical unit



Dots are not in alignment, split optical unit must be readjusted (see chapter 10.4)

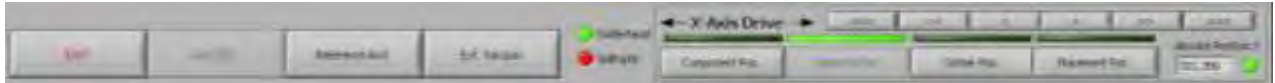
7 Operation

7.1 Layout and function of operator interface

The user interface is divided into 2 elements. "Placement" is required for the alignment and placement of components and "Soldering" for the soldering /desoldering process.

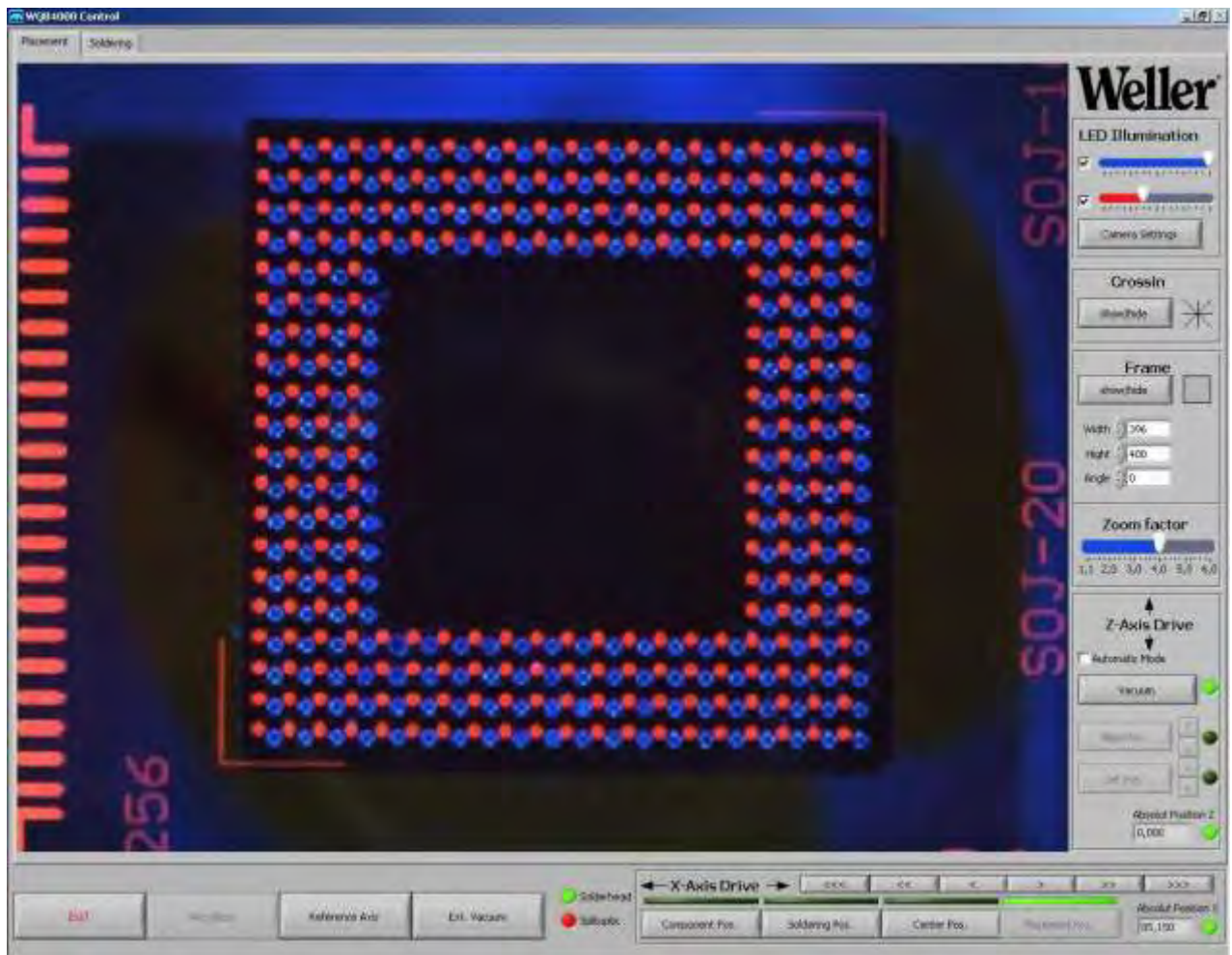
The illustration below shows the basic layout of the user interface. The areas are explained in brief in the following sections.

7.2 Standard buttons:



Exit:	Close / exit the program
Axis Stop:	immediate stop of the currently moved linear axes
Reference Axis:	linear axes are traversed in reference position
Ext. Vacuum:	pick-up of components by means of vacuum
<<< >>> :	fast movement of table to left or right
<< >> :	normal movement of table to left or right
< > :	slow movement of table to left or right
Solder head:	status display for position of soldering head
Split optic:	status display for position of split optical unit
X-Axis Drive:	control unit for the table
Component Pos.:	position for picking up components
Soldering Pos.:	position for soldering process
Center Pos.:	Centre position of table
Placement Pos.:	position for component alignment and placement
Absolut Position X:	value of absolute position of table

7.3 Placement

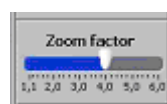
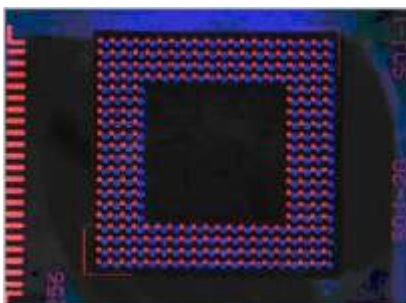


7.3.1.1 Control unit LED Illumination



This allows the circuit board or component lighting to be switched on/off and dimmed.

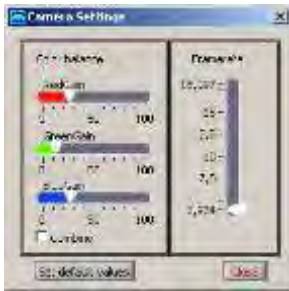
7.3.1.2 Camera screen and zoom



A real-time representation of the camera picture is output in the camera window. Thanks to the high camera resolution, a zoom function is also available with a click of the mouse.

It is possible to select the zoom function ranging between factors of 1.1 and 6. Click on the left mouse button to zoom in and on the right mouse button to zoom out.

7.3.1.3 Camera settings



The user can use the "Camera Settings" button to set an optimum image configuration for the respective requirements. "Colour balance" can be used to carry out an RGB colour balance of the camera image. When "Combine" is activated, three colours can be changed at once. "Frame rate" is used to set the refresh rate. The recommended basic settings are restored via "Set default values".



The buttons "Show / Hide" crossing or "Show / Hide" frame are used to open up cross-hairs or a rectangle to facilitate alignment of components. The size and alignment of the rectangle can be altered with "Width", "Height" and "Angle".

7.3.1.4 Placement / Z-axis drive

The user can select one of two different user modes for component placement.

7.3.1.4.1 Automatic Mode

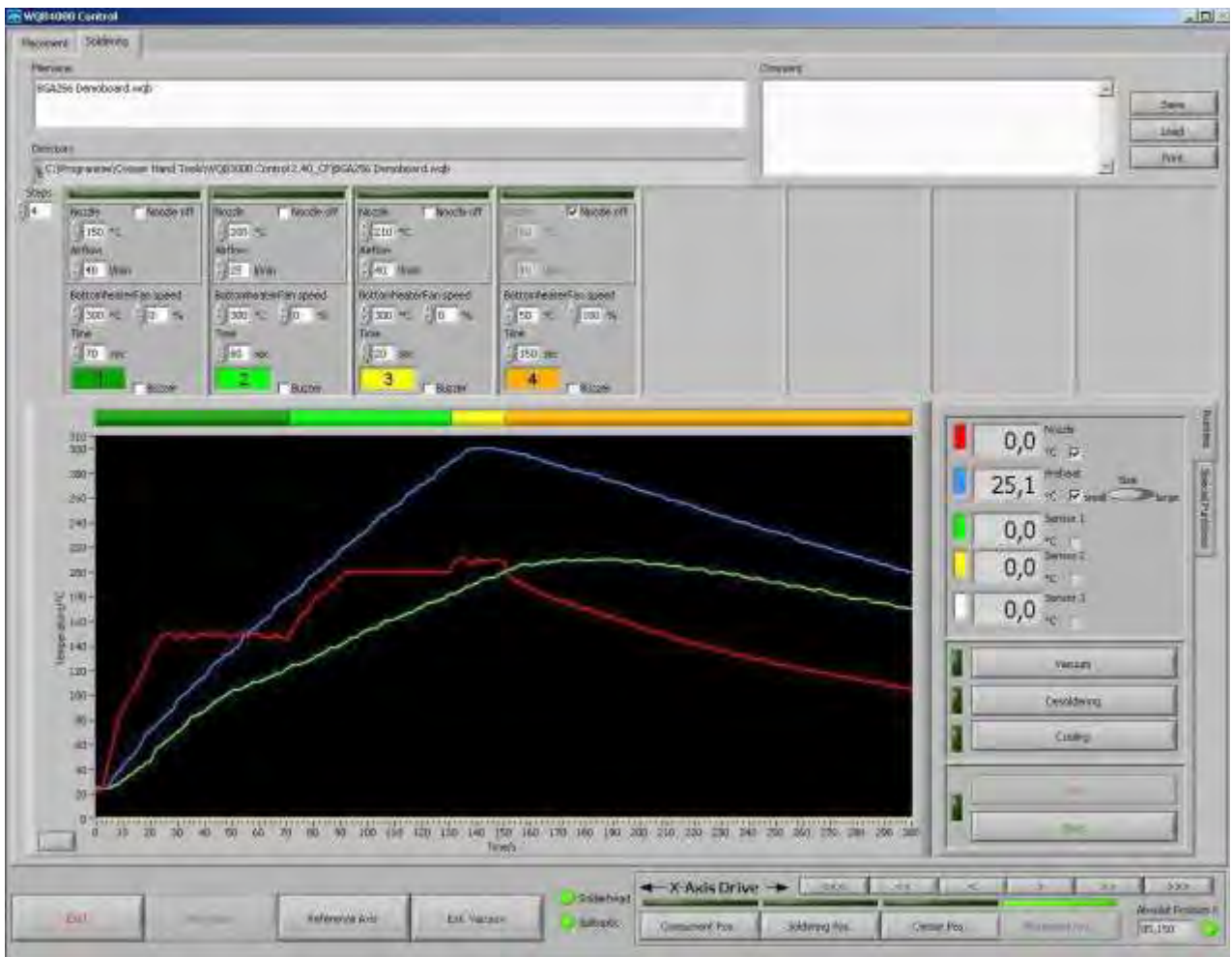


In Automatic mode, automated and partially simplified functions are available to the user. To align the component, the positioning unit can be raised with "Λ" and lowered with "V". The component is lowered with "Set Pos." onto the circuit board. The vacuum is automatically switched off and the positioning unit lifted off.

7.3.1.4.2 Standard mode

In Standard mode, all functions except for automated lowering are available to the user. To align the component, the positioning unit can be raised with "Λ" and lowered with "V". The component is lowered manually with "Set Pos." onto the circuit board. The vacuum must be switched off manually and the positioning unit is then raised.

7.4 Soldering



7.4.1 Soldering profile bar graph

The bar graph provides a rapid overview of the duration of the soldering profile. The colours of the individual segments correspond to the times of the individual process steps.



7.4.2 Input boxes for process parameters

The process parameters can be divided into up to eight individual steps. The individual process parameters of a parameter block can be entered or edited in these input boxes. Depending on the requirement, a number between min. 1 and max. 8 steps is selected. In addition, the temperature sensor responsible for the control process can be selected.

A parameter block is made up of the following process parameters:

Steps	Selection of number of steps 1 - 8
Nozzle off 1 - 8	Deactivation of top heater
Nozzle 1 - 8	Nozzle temperature for steps 1 – 8 / 50 °C – 400 °C
Airflow 1 - 8	Air throughput for step 1 – 8 / 5 – 50 l/min
Gradient 1 - 8	Temperature change for step 1 – 8 / -5 K - +5 K
Fault 1 - 8	Fault indicator for incorrect input
Bottom heater 1 - 8	Temperature of bottom heater for step 1 – 8 / 50 °C – 400 °C
Time 1 - 8	Time for step 1 – 8 / 0 sec. – 999 sec.
Fan Speed	Fan speed as a percentage / 10-100 %
Buzzer	Acoustic signal for confirming the end of the step
Standby Nozzle	Standby temperature of nozzle / deactivated or 50 °C – 400 °C
Standby Preheat	Standby temperature of bottom heater / deactivated or 50 °C – 400 °C
Preheat Size	Size of bottom heater / small / large
Filename	Name of currently opened file
Directory	Target folder of currently opened file
Comment	Comment box for entering a user-defined text

For every parameter block, the measured temperature profile chart including the set axis divisions are saved in addition. This makes it considerably easier to analyse the soldering profile afterwards.



7.4.3 Display LEDs for process step

The "Step 1" to "Step 8" LEDs indicate the relevant process step in the current process.



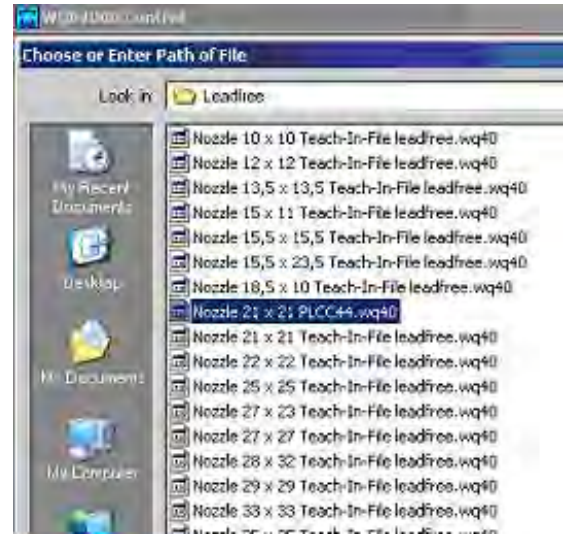
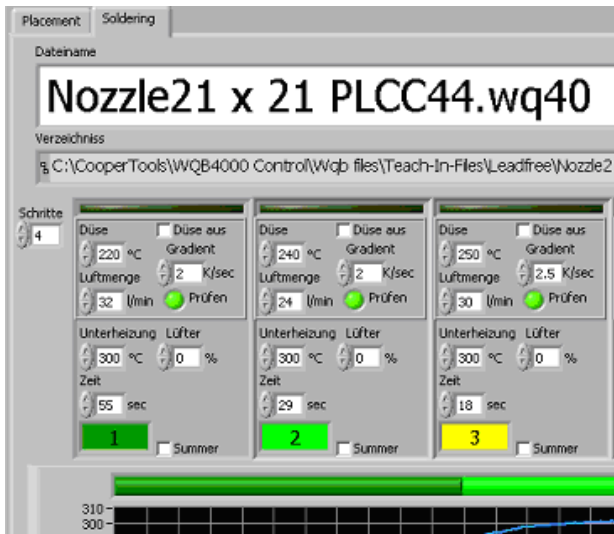
Using a suitable parameter selection, all steps can be assigned the following functions:

- Preheating phase 1 / Preheat
- Preheating phase 2 / Soak
- Reflow / Peak
- Cooling phase / Cooling

7.4.4 Saving and loading parameter blocks / profiles



The parameter blocks can be saved and loaded using the "Save" and "Load" buttons. The currently loaded parameter block is displayed in the program window at top left.



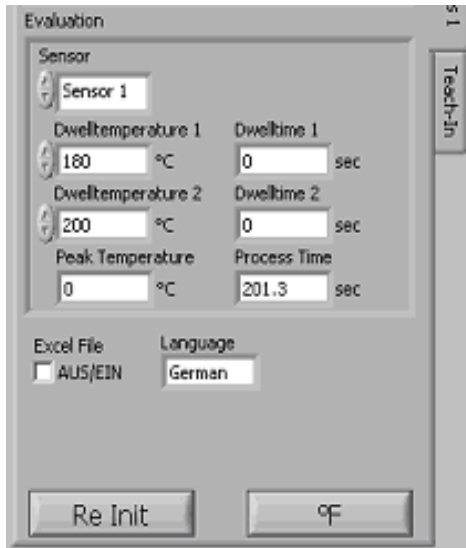
By loading a parameter block and saving under another name, changed / separate parameter blocks can be created.

7.4.5 Soldering / desoldering functions - runtime:



- Preheat size: Switch-over to small / large bottom heater
- Vacuum: Switching vacuum pick-up on/off in soldering head
- Desoldering: Lowering of vacuum pick-up in soldering head
- Cooling: Switching fan on/off for cooling
- Start: Start of soldering / desoldering procedure
- Stop: Stopping soldering / desoldering process

7.4.6 Reinitialisation



The Re Init button can be used to reinitialise the communication between PC and WQB 4000SOPS without a software restart. Interrupted processes must be RESTARTED.

7.4.7 Language selection

The Language button allows you to select a language.

7.4.8 Celsius / Fahrenheit

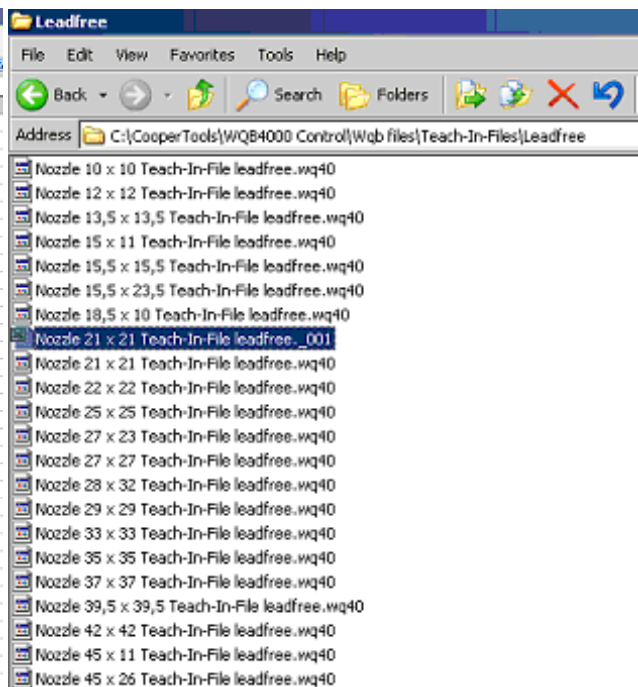
Switch-over of temperature display from degrees Celsius to Fahrenheit and vice versa.

7.4.9 Process documentation

When the Excel File is activated, the automatic process documentation is started.

Microsoft Excel - testplcc1_001

A	B	C	D	E	F	G	H	I
1	Application	WQB4000	Control 2.06.exe					
2	Date:	#####						
3	Time:	08:57						
4	wqb-file:	testplcc1.wq40						
5	Serialnum	081 04/08 0021						
6	Software V	Primary: 3	Secondary: 4					
7								
8								
9		Step 1	Step 2	Step 3	Step 4			
10	Nozzle[°C]	220	240	250	50			
11	Airflow [l/mr]	32	24	30	36			
12	Bottomhes	300	300	300	200			
13	Fan Speec	0	0	0	100			
14	Time [s]	55	29	18	56			
15								
16	Stb. Nozzl	100						
17	Airflow [l/mr]	8						
18	Stb. Bottoi	200						
19	Bottomhes small							
20								
21	Step	Time [s]	Nozzle [°C]	Bottomhes	Sensor 1 [Sensor 2 [Sensor 3 [°C]	
22	1	0.148	100	200.5	102.2	20	101.7	
23	1	0.512	100	200.5	102.2	20	101.7	
24	1	1.012	101.3	200.2	102.2	19.5	101	
25	1	1.512	102.6	200.5	102.5	20	101.2	
26	1	2.012	103.3	200.5	102.7	20	101.5	
27	1	2.512	104.5	200.5	103	20	101.7	
28	1	3.012	105.2	201.2	103.2	19.7	101.5	
29	1	3.512	105.8	201.5	103.5	19.2	101.5	
30	1	4.012	106.5	202.2	103.2	19.5	101	
31	1	4.512	107.1	202.7	103.5	20	101.2	
32	1	5.012	107.7	203.5	104.2	19.7	101.5	
33	1	5.512	108.4	204.5	104.2	19.7	101.2	



7.5 Print Function



THE "PRINT" BUTTON BE USED TO PRINT OUT THE CURRENT PARAMETER BLOCK WITH THE associated temperature chart at the standard printer of the computer.

Temperature Profiling with WQB4000

Used WQB-file: Motion_Sensor.wq4

Step 1 Nozzle: 160 °C Airflow: 20 l/min Bottomheater: 300 °C Time: 90 sec <input type="checkbox"/> Nozzle off <input type="checkbox"/> Gradient Fan speed: 2,5 °C/sec	Step 2 Nozzle: 220 °C Airflow: 20 l/min Bottomheater: 300 °C Time: 28 sec <input type="checkbox"/> Nozzle off <input type="checkbox"/> Gradient Fan speed: 2,5 °C/sec	Step 3 Nozzle: 255 °C Airflow: 20 l/min Bottomheater: 300 °C Time: 15 sec <input type="checkbox"/> Nozzle off <input type="checkbox"/> Gradient Fan speed: 2,5 °C/sec	Step 4 Nozzle: 255 °C Airflow: 20 l/min Bottomheater: 50 °C Time: 20 sec <input type="checkbox"/> Nozzle off <input type="checkbox"/> Gradient Fan speed: 0 °C/sec
Step 5 Nozzle: 185 °C Airflow: 20 l/min Bottomheater: 50 °C Time: 2,5 sec <input type="checkbox"/> Nozzle off <input type="checkbox"/> Gradient Fan speed: -2,7 °C/sec	Step 6 Nozzle: 100 °C Airflow: 20 l/min Bottomheater: 50 °C Time: 5,5 sec <input type="checkbox"/> Nozzle off <input type="checkbox"/> Gradient Fan speed: -2 °C/sec	Standby/Gradient Mode <input checked="" type="checkbox"/> Gradient Mode Nozzle: <input type="checkbox"/> 100 °C Airflow: <input type="checkbox"/> 20 l/min Bottomheater: <input checked="" type="checkbox"/> 100 °C <input type="checkbox"/> Bottomheater Large	
Comment: 		Evaluation Sensor 1 Dwell-Time above: 217 °C: <input type="checkbox"/> sec 0 °C: <input type="checkbox"/> sec Peak Temp.: <input type="checkbox"/> °C Process Time: <input type="checkbox"/> sec	

Date: 14.02.2008 Time: 11:41
 This Document was printed by Weller - WQB4000 Control Software Cooper Tools GmbH - Germany

7.6 Special functions

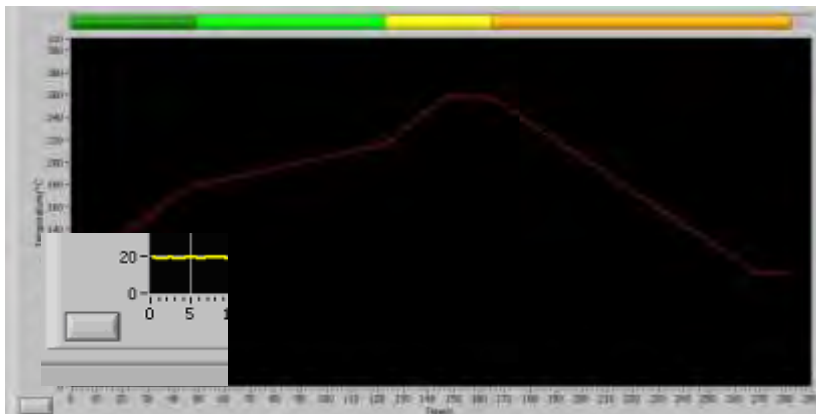
7.6.1 Gradient



Gradient mode makes targeted heating-up gradients and even targeted cooling down possible. For this purpose, a maximum gradient is specified for each process step.



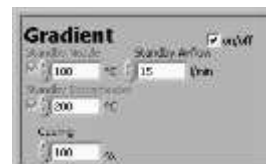
During application of Gradient mode, operation is always carried out with nozzle pre-heating and the nozzle is already lowered above the component prior to process start. Nozzle pre-heating (Standby Nozzle) is therefore always activated.



For a clearer presentation of the profile, it is depicted with a red dashed line in the chart. If a parameter is changed, the profile is adapted correspondingly.

The "Clear Chart" button is used to delete all graphs in the current chart.

Gradient mode is activated in the Special Functions menu by the corresponding option box.



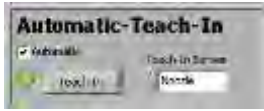
means of

In addition, the air volume can be the nozzle pre-heating (Standby Airflow). This parameter must be increased if the maximum gradient is not reached and this parameter also has a big influence on targeted cooling down with negative gradients in the cooling phase!

7.6.2 Teach-in

Teach-in mode is used for easy determination of the temperature profile using external sensors and is activated via the "Teach-In" button. The Teach-In Sensor" can also be selected from a list. Free sensor inputs are faded in automatically.

7.6.2.1 Automatic Teach-in



Automatic Teach-In is activated via "Automatic". During Automatic Teach-In, defined temperature thresholds are used to switch between the individual steps. These temperature thresholds are set by the process parameters. Teach-In is started like a normal soldering process.



7.6.2.2 Manual Teach-In

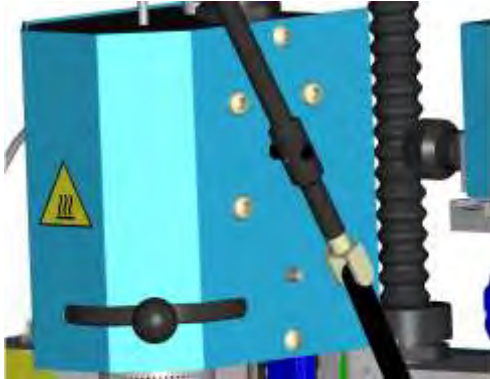


Manual Teach-in is activated by deactivating "Automatic". In Manual Teach-In, a switch is made to the next step by actuating "Start" in each case. Teach-In is started like a normal soldering process.

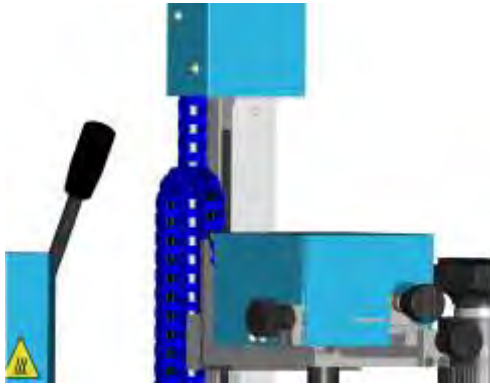
7.7 Other functions

7.7.1 Operating the soldering head and insertion head

The soldering head and the insertion head are guided by precision linear guides in the Z-axis.

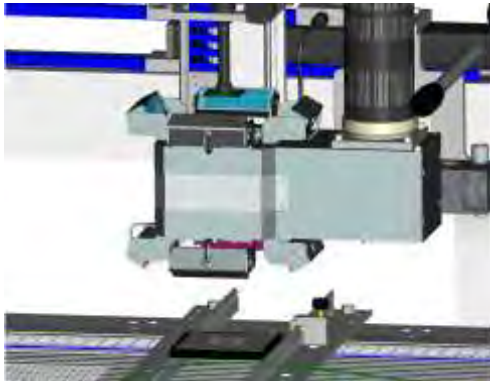


The soldering head is equipped with a rotation-damped articulated lever (16). The soldering head can be lifted off or lowered without vibrations by operating the appropriate articulated lever. A component can also be lifted off during the desoldering process with the vacuum tube when the soldering head is lowered.



The insertion head is equipped with a stepping motor, which facilitates precise, software-controlled lowering and pick-up of components. Component pick-up with the insertion head (11) is performed with the vacuum nozzle (29). The vacuum is activated via "Vacuum" to lift up components. When lowered, the component can be placed fully automatically with the additional Automatic mode.

7.7.2 Component placement



For component placement, the component is picked up by the vacuum pick-up in "Component Pos." The transportation table must be moved to the "Placement Pos". When the component is raised, the split optical unit is pushed from the outer position between the component and circuit board and locked here. The lighting is switched on automatically. It is possible to compensate for any difference in size between the two picture by effect minimal movement of the positioning unit in the Z-direction. The component can be aligned in accordance with the pad layout on the circuit board using the adjusting screws for the X and Y directions (8) and (9) and the theta angle (10). The optical unit is extended to the right-hand stop, thereby releasing the positioning-unit electronics. When the positioning unit is lowered, the component is placed on the circuit board with a force of 2.7 N. The vacuum can be switched off fully automatically via a photoelectric barrier and the vacuum pick-up lifted off from the component. The table then moves automatically to "Soldering Pos.".

8 Maintenance and cleaning

8.1 Safety measures

8.1.1 The mains cable must only be inserted in the approved power sockets or adapters.

Use the supplied mains cable exclusively.

8.1.2 Keep your work area tidy and in proper order.

Do not bring combustible materials or objects near the hot soldering tool.

8.1.3 Take surrounding factors into consideration.

Do not use the soldering tool in a damp or wet environment.

8.1.4 Protect yourself against electric shocks.

Avoid touching earthed/grounded parts with your body, e.g. pipes, heating radiators, stoves and refrigerators.

8.1.5 Keep children away from work area.

Do not allow other persons to touch the soldering tool or accessories. Keep other persons away from your work area.

8.1.6 Store your soldering tool in a safe place.

Unused soldering tools should be stored in a dry, locked place out of the reach of children. Switch off all unused soldering tools so that they are de-energised and pressureless.

8.1.7 Do not overload your soldering tool.

Operate the soldering tool only at the specified voltage, at the specified pressure and in the specified pressure range.

8.1.8 Use the correct soldering tool.

Do not use a soldering tool whose power/performance is not sufficient for your work. Never use the soldering tool for purposes for which it is not designed.

8.1.9 Wear suitable work clothing.

Risk of burning with liquid solder. Wear appropriate protective clothing to protect yourself against burns.

8.1.10 Protect your eyes.

Wear protective goggles. When working with bonding agents, pay particular attention to the warning notices of the bonding-agent manufacturer. Protect yourself against solder splashes. Risk of burning with liquid solder.

8.1.11 Always use a soldering fume extraction device.

If facilities are available for connecting soldering fume extraction devices, make sure that these are connected and correctly used.

8.1.12 Do not use the cable for purposes for which it is not designed

Do not use the cable to pull the plug from the power socket. Protect the cable against heat, oil and sharp edges.

8.1.13 Secure the tool.

Use clamping devices to grip the workpiece. This is more secure than using your hands, and leaves both hands free to operate the soldering tool.

8.1.14 Avoid abnormal body posture.

Arrange your work area correctly in accordance with ergonomic considerations. Avoid bad posture when working. Always use the appropriate soldering tool.

8.1.15 Take care of your soldering tools.

Keep the soldering tool clean to ensure more exact and safer working. Follow the maintenance instructions. Regularly inspect all connected cables and hoses. Repairs may only be carried out by a recognised specialist. Only use original spare parts from WELLER®.

8.1.16 Remove the plug from the power socket before opening the unit.**8.1.17 Make sure all maintenance tools are removed.**

Before switching on, check that all spanners and adjusting tools have been removed.

8.1.18 Avoid unintentional/accidental operation.

Make sure that the switch is turned off when inserting the plug into the power socket or connecting to the mains power supply.

8.1.19 Remain attentive.

Always pay attention to what you are doing. Work sensibly and cautiously. Do not use the soldering tool when you are not fully focused.

8.1.20 Inspect the soldering tool for any damage.

Before using the soldering tool further, inspect safety devices or slightly damaged parts for fault-free and intended operation. Check whether moving parts are working without faults and are not jamming or whether parts are damaged. All parts must be correctly mounted and all conditions for ensuring fault-free operation of the soldering tool must be satisfied. Damaged safety devices and parts must be correctly repaired or replaced by a recognised specialist repair shop, unless otherwise specified in the Operating Instructions.

8.1.21 Important

Only use original WELLER® accessories or auxiliary devices that are listed in the accessories list in the Operating instructions. Use of other tools and other accessories may cause injury.

8.1.22 Have your soldering tool repaired in an electrical service centre.

This soldering tool complies with the relevant safety regulations. Repairs must only be carried out by a qualified electrical service centre that uses original spare parts from WELLER®; otherwise operators run the risk of accidents.

8.1.23 Do not work on electrically live parts.**8.1.24 Do not connect combustible gases.**

Do not connect inflammable gases to hot-air or hot-gas devices. Do not point the hot-gas jet at other persons or look into the hot-gas jet. Ensure adequate ventilation when using inert gases. Risk of suffocation.

8.1.25 Use with other WELLER® devices.

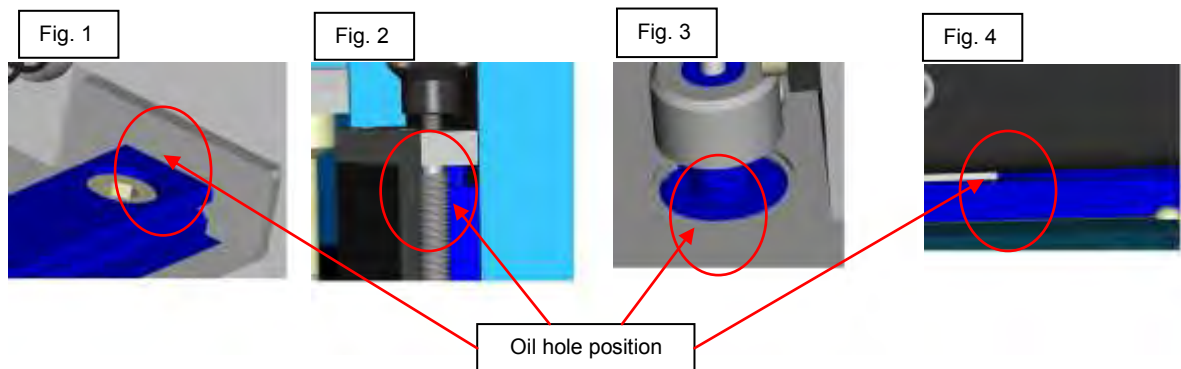
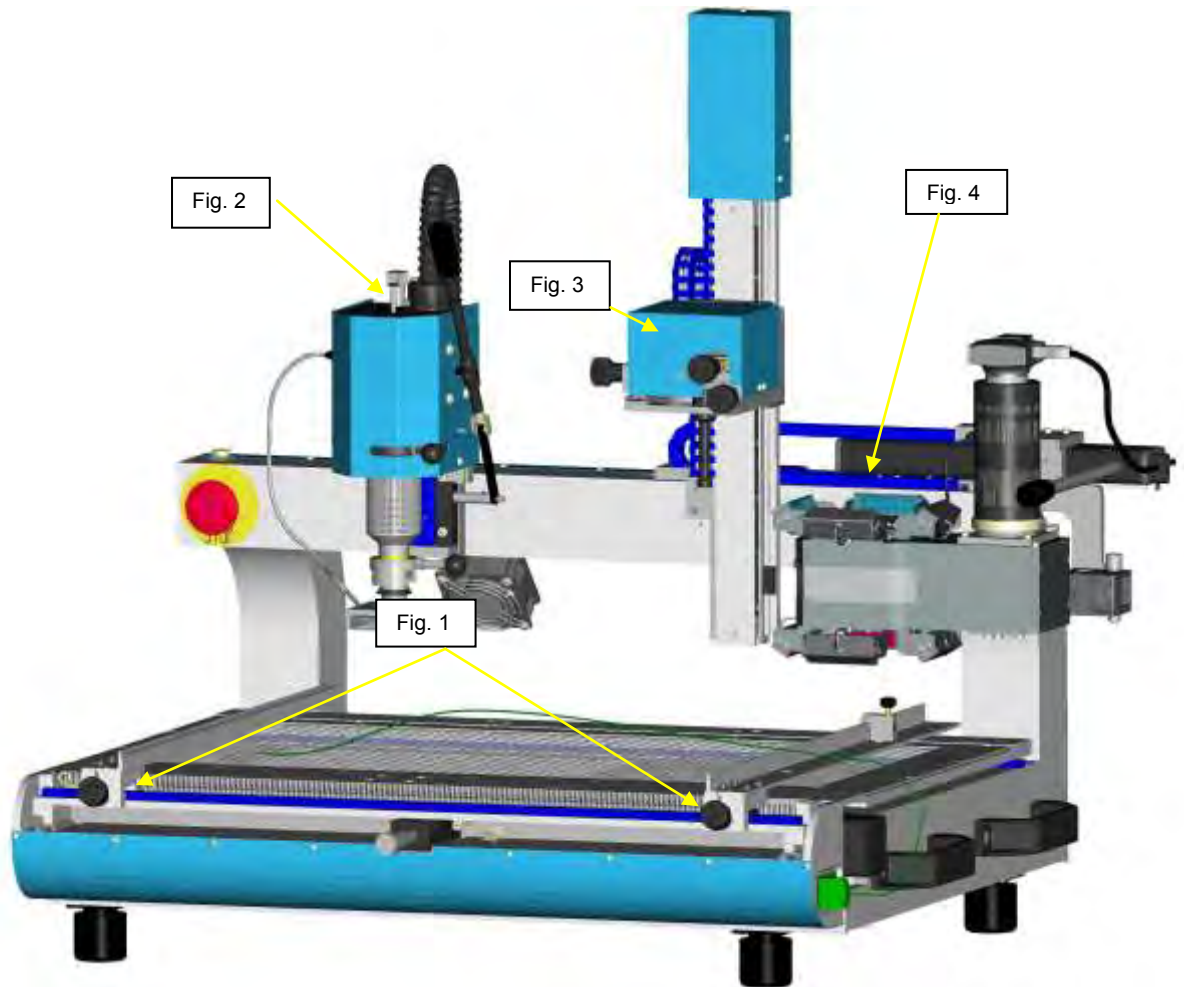
If the soldering tool is to be used in conjunction with other WELLER® equipment or supplementary devices, also observe the warning notices set out in the accompanying Operating Instructions.

8.1.26 Observe the safety regulations applicable to your work area.

The bottom and top heater of the WQB 4000SOPS are only approved for heating components to be soldered / desoldered and related components / additional materials. If used for a purpose other than that specified in this document, warranty / liability claims shall immediately become invalid.

8.2 Maintenance and cleaning by users

- The linear axes or linear guide rails for moving the circuit board carriage or positioning unit must be lubricated after 5,000 process cycles or 1,000 operating hours at the latest.



Sliding guides are maintenance-free.

We recommend MG10/CG2 from IKO NIPPON THOMSON CO. LTD

<http://www.ikont.com>

Before putting the WQB 4000SOPS into operation, always check for visible damage and completeness.

8.3 Cleaning agents

Clean the WQB 4000SOPS with a damp cloth and a commercially available cleaning agent. The application of liquid cleaning agents is prohibited. The covers for the electronics on the bottom side and on the heating head must not be removed for cleaning.

8.4 Troubleshooting, fault status diagnosis and repair

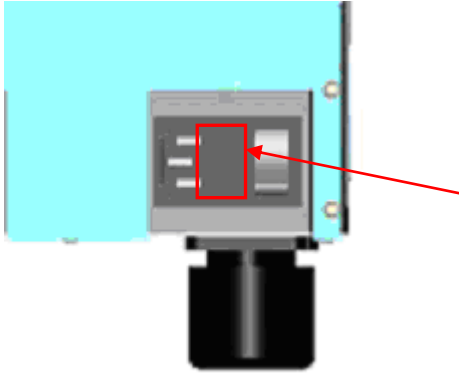
- Following start-up, the mechanical system is checked by the software and by a reference run.
- A visual check must be made of all other mechanical components for recognisable damage.
- After switching on, an LED display lights up in the EMERGENCY-STOP button as "POWERCONTROL".
- Following start-up, the motor control system is checked by the software and by a reference run.
- When the software is started, the safety switches are queried and confirmed by a GREEN LED display.
- After work is complete, move the circuit board carriage into CENTER position.
- Click on EXIT to close the software.
- Disconnect the mains connection by actuating the mains switch.
- The compressed air and nitrogen supply must be closed.



If the machine is shut down with the EMERGENCY-STOP button during the process, this process must be restarted during return to operation.

If the circuit board carriage and / or component placement unit become blocked, the mains connection must be disconnected by actuating the mains switch on the rear side. Close down the software. Then eliminate the blockage. (When de-energised, the motor-driven axes can be moved manually.) When the blockage has been eliminated, re-establish the mains connection and start up the software again. The interrupted process must be restarted.

In dangerous situations, the mains connection must be disconnected by actuating the EMERGENCY-STOP button on the front side. When restarting after elimination of a dangerous situation, the EMERGENCY-STOP button must be unlocked by turning it. Then close down the software and restart.



- A fuse is replaced by removing the cover at the device switch.
- **The mains cable must be removed prior to changing a fuse.**
- Only T10 A fuses must be used.

For more extensive repairs, please contact your nearest Customer Service.

8.5 Possible faults

Fault	Cause	Remedy
No function	No supply voltage	Check mains connection
		Check device fuse at mains switch
	EMERGENCY STOP button is pressed	Unlock EMERGENCY-STOP button by turning to the left
Profile cannot be started	Nozzle sensor defective/ not connected	Connect sensor / new sensor
	Communication fault	Check USB connection
		Re-initialisation with Re Init button in the Special Functions menu
Soldering head not functioning, heater fault message	Soldering head overheated	Shut down the system and allow to cool down
	Heat conductor defective	Contact the manufacturer
Fault message: No Air	Compressed air / nitrogen not connected, or pressure is too low	Check / connect supply
No / insufficient vacuum	No / insufficient pressure for compressed air supply	Check / connect supply
Vacuum lift in soldering head cannot be activated	No / insufficient pressure for compressed air supply	Check / connect supply
Table cannot be moved	Soldering head in soldering position	Raise soldering head with operating lever
	Z-axis not in placement position	Move Z-axis up
	Reference points of X-axis or Z-axis are faulty	Reference run required
Z-axis cannot be moved	Split optical unit not in right-hand position	Push split optical unit to the right/hand end stop
	Reference points of X-axis or Z-axis are faulty	Reference run required
Camera image is blurred / too dark / too light	Object not focused	Set image sharpness with focus ring on lens
	Lens aperture opened too wide / closed	Set aperture opening with aperture ring on lens
Camera image inclined on screen	Camera not installed at a right angle on the split optical unit	Turn the camera by releasing the lens mount
Components are not correctly positioned when deposited	Split optical unit incorrectly adjusted	Readjust split optical unit (see Operating Instructions - Maintenance)

9 Optional modules and extras, specifications

- Adjustable PCB stop WQB 005 87 548 73
- For extensive accessories on hot-gas nozzles, see pages 53 + 54
- Clamping set for circuit boards with difficult geometries 005 87 549 24
- Support for large PCBs 005 87 557 45
- NQ nozzle adapter for WQB 4000 005 87 549 70
- Vacuum pipette 005 29 184 99
- Object 10 X zoom 005 87 551 45



10 Maintenance and cleaning

10.1 Maintenance cycles for safe operation

The linear axes or linear guide rails for moving the circuit board carriage or positioning unit must be lubricated after 5,000 process cycles or 1,000 operating hours at the latest.

10.2 Customer Service address

Weller Tools GmbH
Carl-Benz-Straße 2
74354 Besigheim, Germany

 +49 (0) 7143580- 0
 +49 (0) 7143 580- 108

10.3 Repacking

The WQB 4000SOPS must only be transported in the original transport packaging.

Prior to packing, all supply lines must be removed. The optical unit must be removed in reverse sequence to that described in chapter 5.3.1.1 and packed.

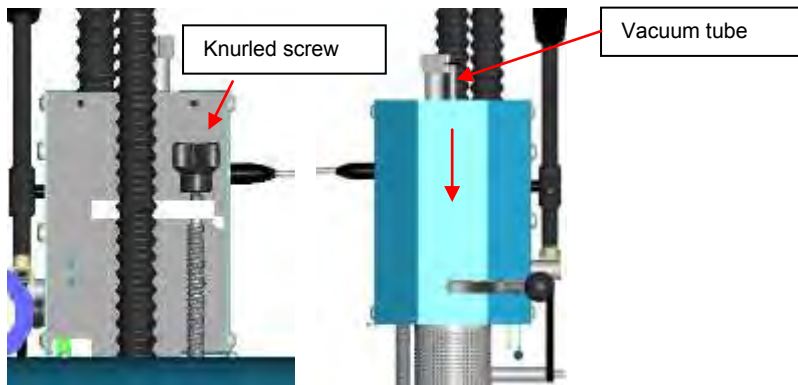
10.4 Calibration



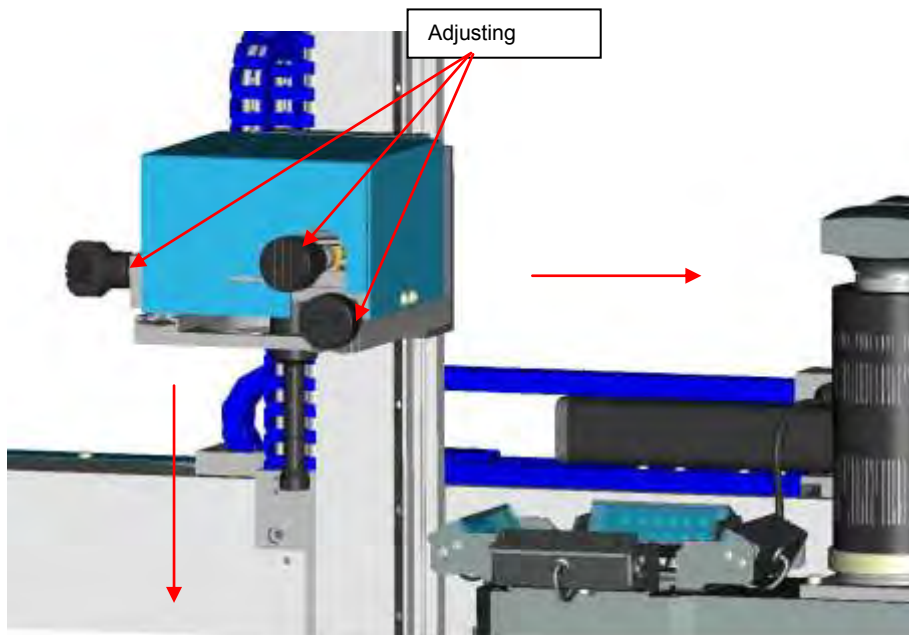
The top and bottom heaters must be deactivated and cold during adjustment so as to avoid the risk of burns.

We recommend that you carry out a reference run as described in chapter 6.1 before calibrating the split optical unit.

The transportation table is moved to the "Soldering Pos". Here, insert the adjustment template in the PCB holder and roughly align the cross-hairs pictured on the template to the middle of the soldering nozzle, i.e. the vacuum tube.



To do so, adjust the depth stop of the soldering head via the knurled screw so that the nozzle when lowered is approx. 0.5 - 1 mm above the template. To align the template precisely, lower the vacuum tube to the template and align the latter precisely.



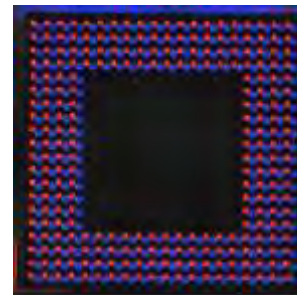
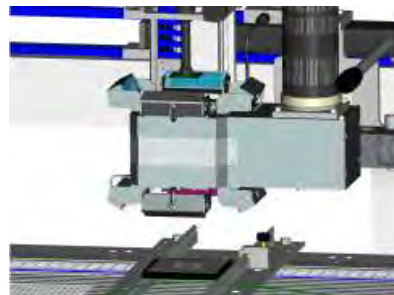
Lift the soldering head off to release the transportation table. Then move the table to "Placement Pos.".



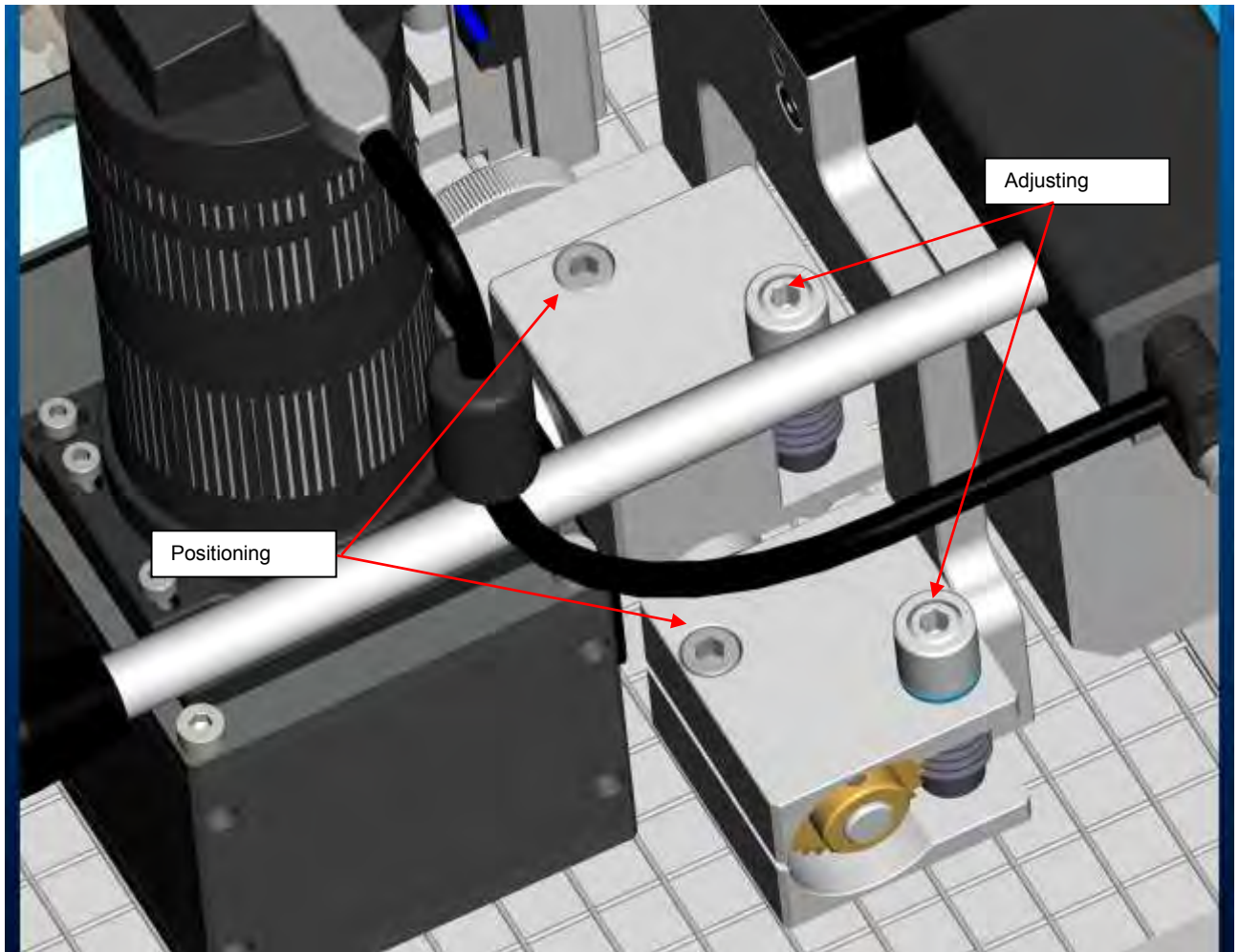
The split optical element must be extended so that the component in the template can be lifted off with the vacuum pick-up. The vacuum tube should be aligned centrally to the component when the positioning unit is lowered with "Set Pos.". Otherwise set the distance with the "UP / DOWN" arrow keys to approx. 3 mm above the component. Now the vacuum tube is aligned centrally in relation to the component using the adjusting screws. To pick up the component, lower with the "DOWN" arrow key until contact is made with the component, pick up the component by means of "Vacuum Placement" and lift off with "Align Pos.".



After lifting off, do not alter either the table in X and Y directions or the positioning unit in X, Y and theta directions. Move the split optical unit to the left-hand stop until it engages between the adjustment component and adjustment template and activate the PCB lighting with the positioning software. The adjustment template is shown in red on the monitor. The optimum presentation of the template is achieved using the adjusting rings for the aperture and sharpness.

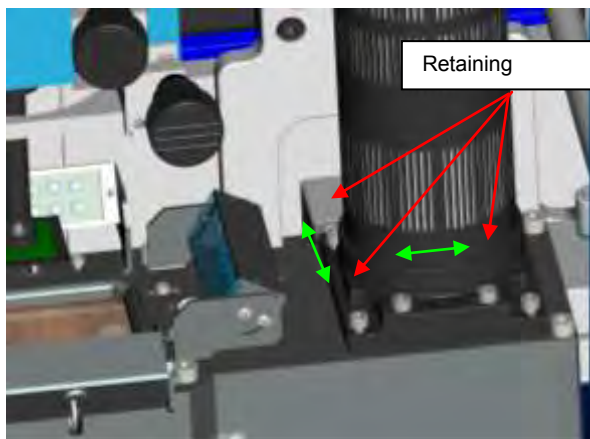


Example of the camera display



Camera settings

Switch on the component lighting to display the component on the screen. Slightly raise or lower the positioning unit with the "UP / DOWN" arrow keys to adapt the two images to the same size. To align the optical axis of the optical unit to the mechanical axis of the positioning unit, the **positioning screws must first be loosened**. Align the image of the template (red) in coincidence with the image of the component (blue) with the adjusting screw in X direction and the adjusting screw in Y direction and lock the split optical unit in position again. After locking, it is essential to check the image again and repeat the procedure if necessary.



The camera is aligned to the image centre in the factory and has to be checked by fading in the cross-hairs via "Show / Hide" Crossing or the rectangular frame via "Show / Hide" Frame (see chapter 7.3.1.3). In the event of deviations, the camera can be readjusted with the aid of the adjustable camera holder. To do so, release the securing screws on the relevant camera mount level, realign the camera mount and lock it again.

11 List of spare parts and consumables

11.1 Electrical system

- Thermocouple type K, dia. 0.5 mm 005 31 190 99
- Thermocouple type K, dia. 0.1 mm with plug 005 87 557 82
- Temperature sensor PT 100 for top heater 005 87 549 48
- USB 2.0 cable type A / type B 1.8 m 005 87 551 18
- Heating element for top heater 005 87 549 77

11.2 Pneumatics

- Vacuum tube for soldering head 005 87 549 47
- Vacuum inserts dia. 4.5 mm (10 pieces) 005 87 137 99
- Vacuum inserts dia. 10 mm (10 pieces) 005 87 137 98
- Compressed air tube A dia. 6 mm 005 87 388 01
- Y-connection for hose with A dia. 26 mm 005 87 570 86

11.3 Optical system

- USB – camera 005 87 550 47
- Camera lens 25 F1.4 005 87 550 48
- USB 2.0 cable type Mini- A 1.8 m 005 87 551 12

11.4 Hot air nozzles

Article No.	Nozzle housing, inside	Nozzle housing, outside
	mm x mm	mm x mm
005 87 479 47	7.6 x 7.99	8.6 x 8.9
005 87 479 43	6.5 x 6.5	7.5 x 7.5
005 87 479 45	8.5 x 8.5	9.5 x 9.5
005 87 479 61	8.5 x 10.6	9.5 x 11.6
005 87 549 67	10.0 x 10.0	11.0 x 11.0
005 87 478 48	12.0 x 12.0	13.0 x 13.0
005 87 479 04	13.5 x 13.5	14.3 x 14.3
005 87 479 35	15.5 x 15.5	16.5 x 16.5
005 87 478 93	15.0 x 11.0	16.0 x 12.0
005 87 548 36	18.5 x 10.0	19.5 x 11.0
005 87 479 77	15.5 x 23.5	16.5 x 24.5
005 87 478 33	18.0 x 18.0	20.0 x 20.0
005 87 547 70	21.0 x 21.0	23.0 x 23.0
005 87 548 20	22.0 x 22.0	24.0 x 24.0
005 87 477 64	25.0 x 25.0	27.0 x 27.0
005 87 479 93	27.0 x 23.0	29.0 x 25.0
005 87 478 50	27.0 x 27.0	29.0 x 29.0
005 87 479 27	29.0 x 29.0	31.0 x 31.0
005 87 479 99	28.0 x 32.0	30.0 x 34.0
005 87 479 06	33.0 x 33.0	35.0 x 35.0
005 87 548 87	35.0 x 35.0	37.0 x 37.0
005 87 477 53	37.0 x 37.0	39.0 x 39.0
005 87 478 71	39.5 x 39.5	41.5 x 41.5
005 87 478 74	42.0 x 42.0	44.0 x 44.0
005 87 549 03	45.0 x 11.0	47.0 x 13.0
005 87 477 63	46.0 x 46.0	48.0 x 48.0
005 87 479 16	47.0 x 47.0	49.0 x 49.0
005 87 479 41	49.0 x 49.0	51.0 x 51.0
005 87 479 85	57.0 x 18.5	59.0 x 20.5

12 De-commissioning the product

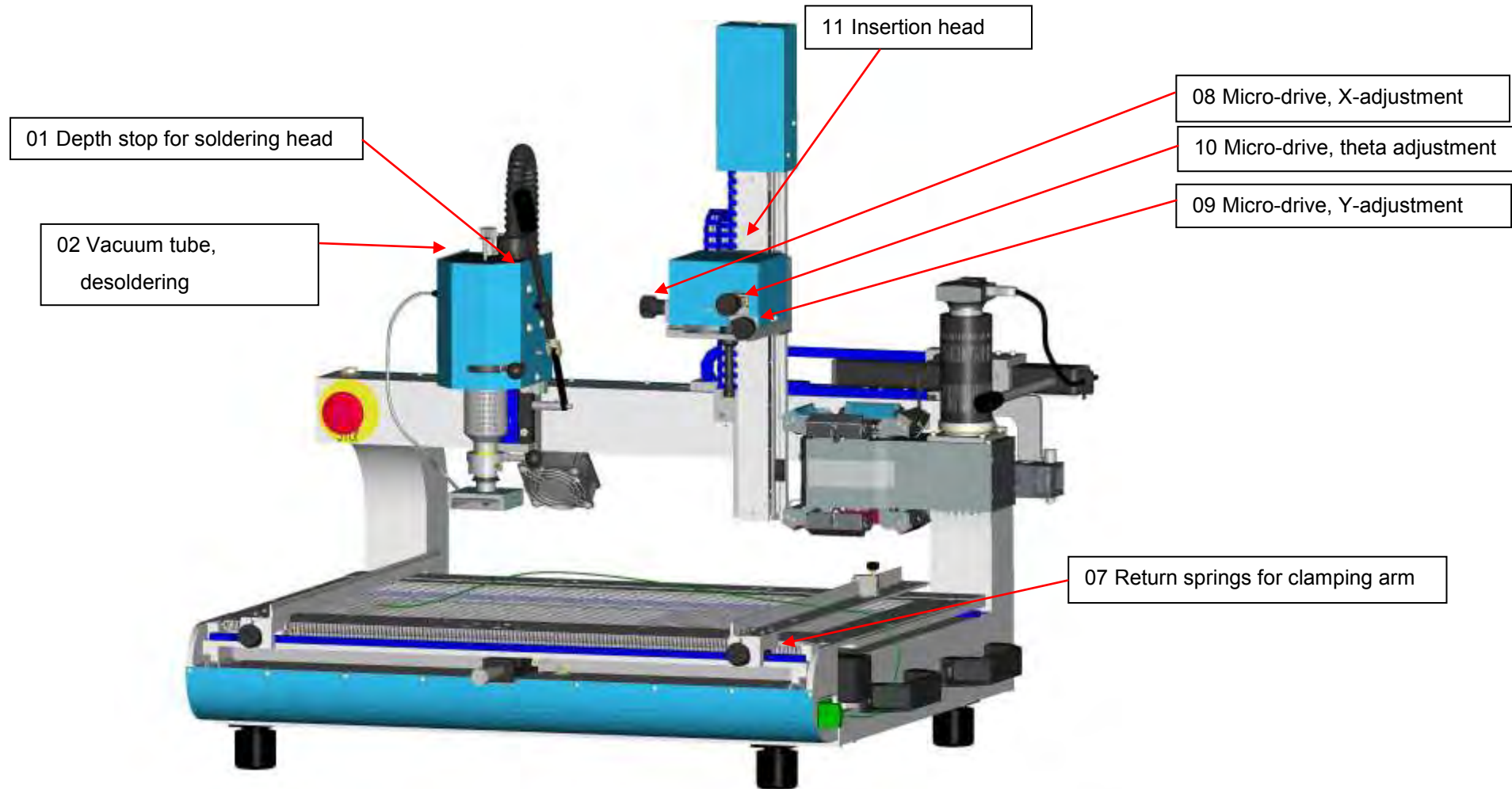
When the designated machine service life (operating time) has been reached incl. the individual machine elements, dispose of the replaced device parts in accordance with national specifications. A RoHS conformity declaration exists for all parts.

- Transportation table in "Centre Pos."
- Switch off the mains voltage
- Disconnect the compressed air / nitrogen supply
- Remove the USB connections
- Disassemble the optical unit
- Pack in the transport packaging

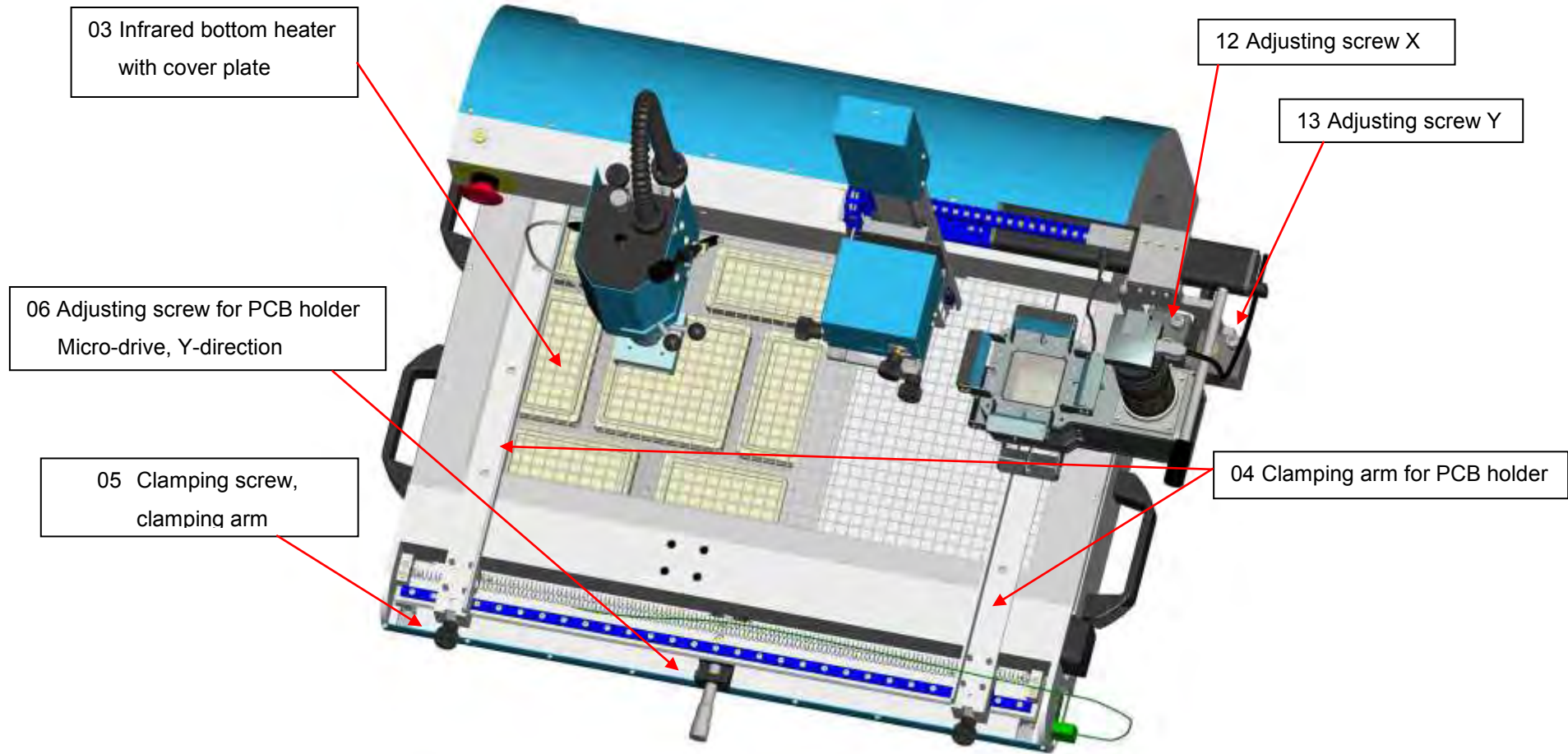
13 Warranty

Claims based on defects will fall under the statute of limitations 12 months after delivery to the purchaser of the goods. This shall not apply to rights of recourse of the purchaser according to sections 478, 479 German Civil Code. We shall assume liability for warranties supplied by us only if the quality guarantee or service warranty has been submitted in writing and using the term "Warranty".

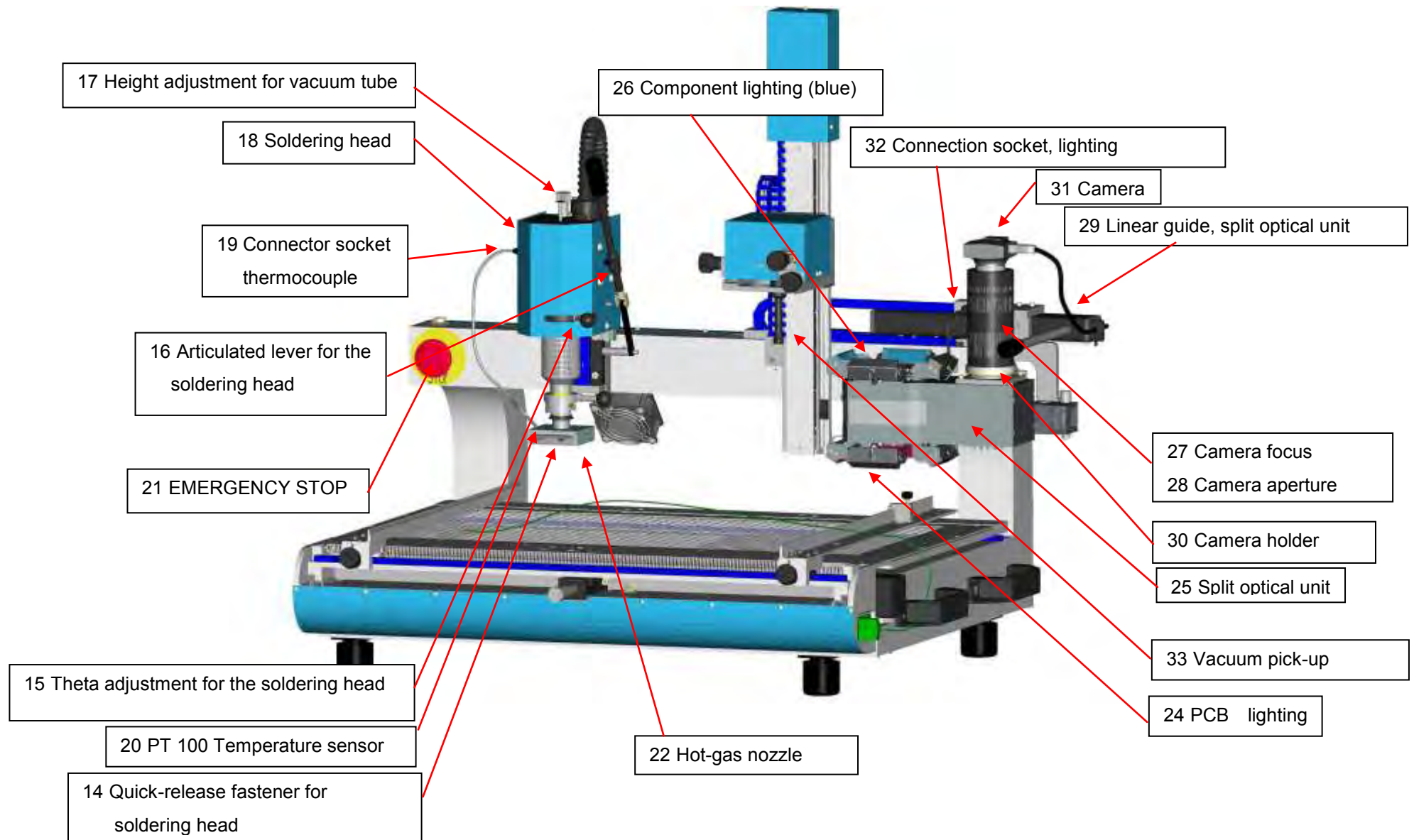
14 Figures



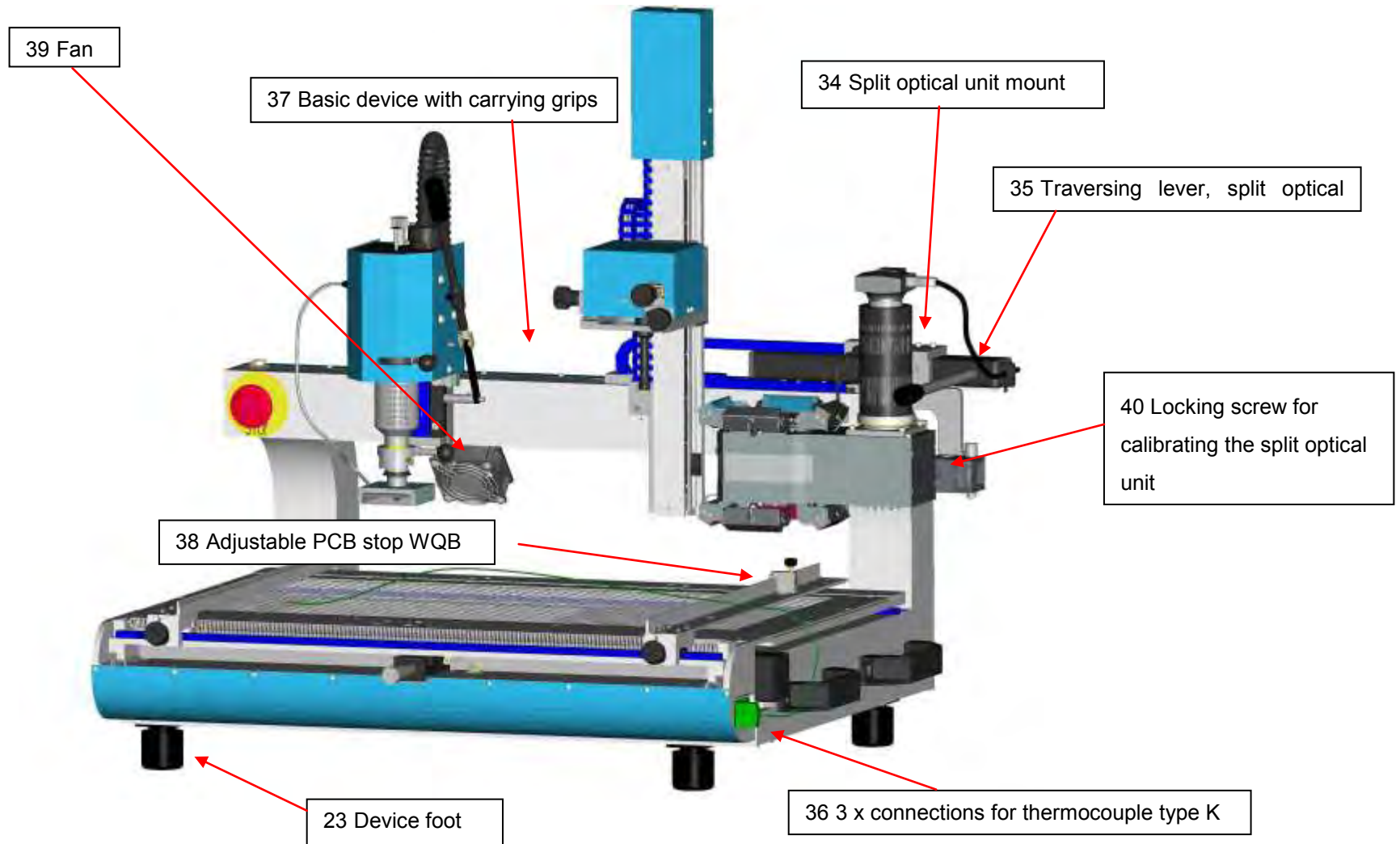
(similar to figure)



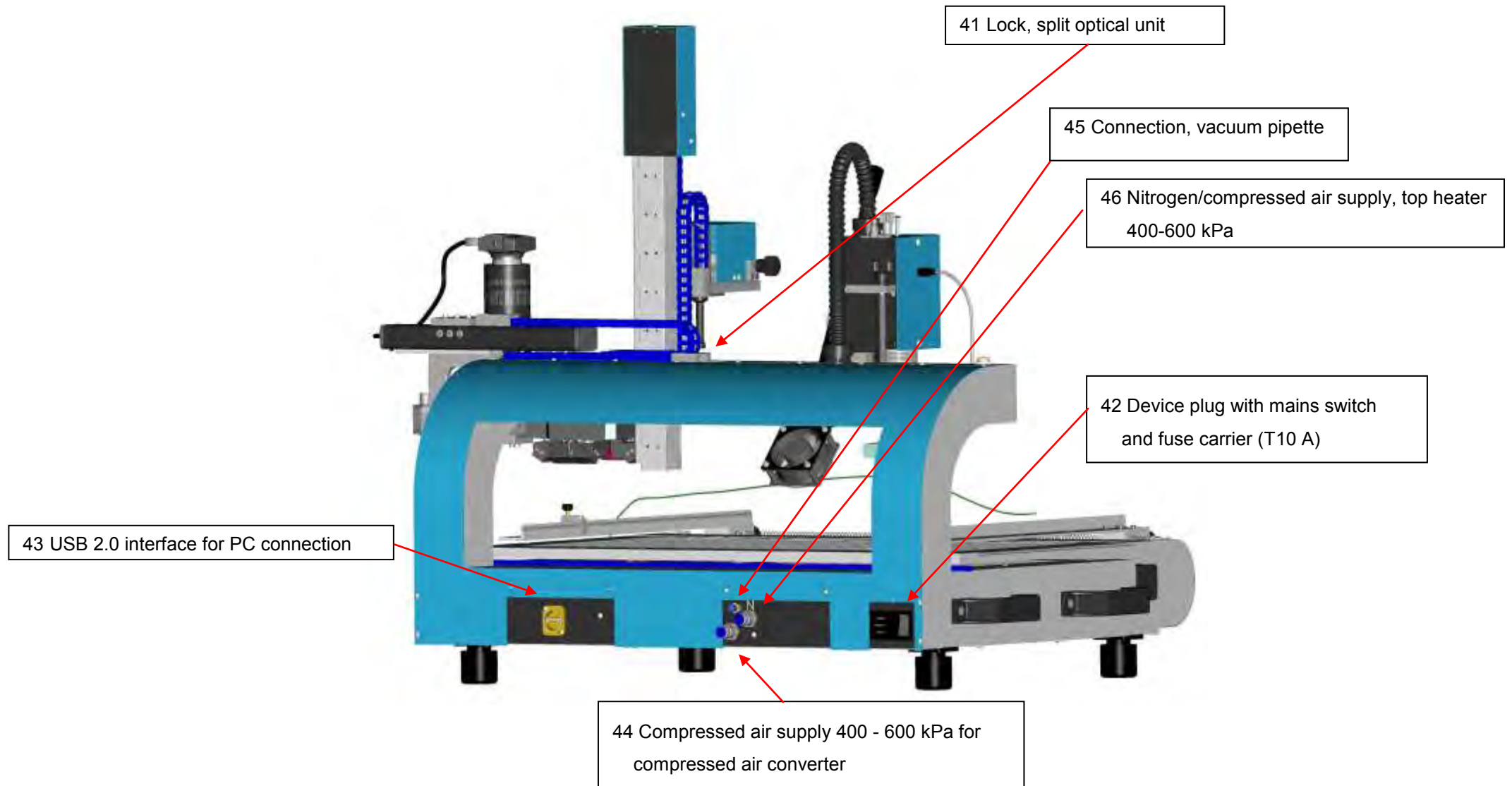
(similar to figure)



(similar to figure)

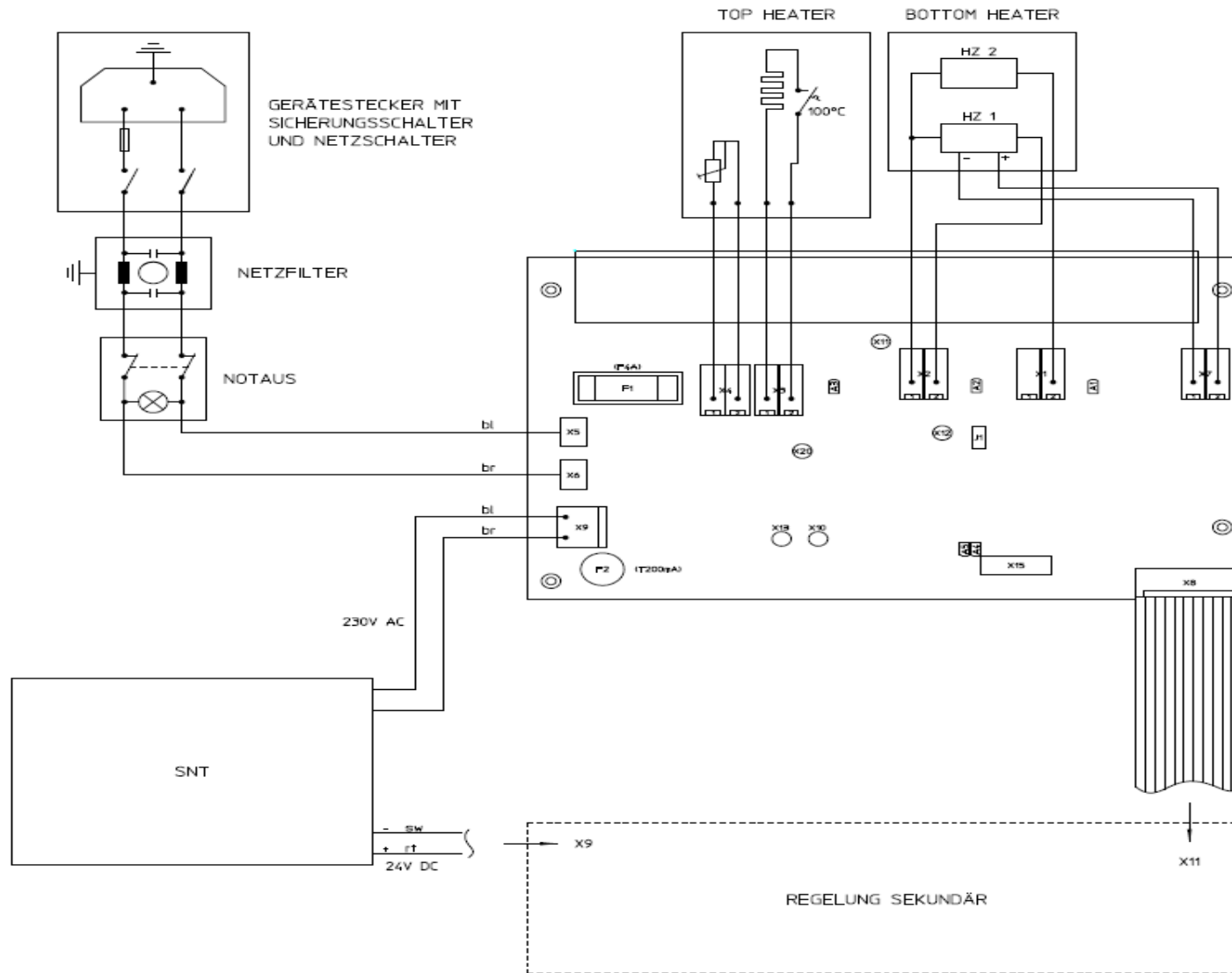


(similar to figure)

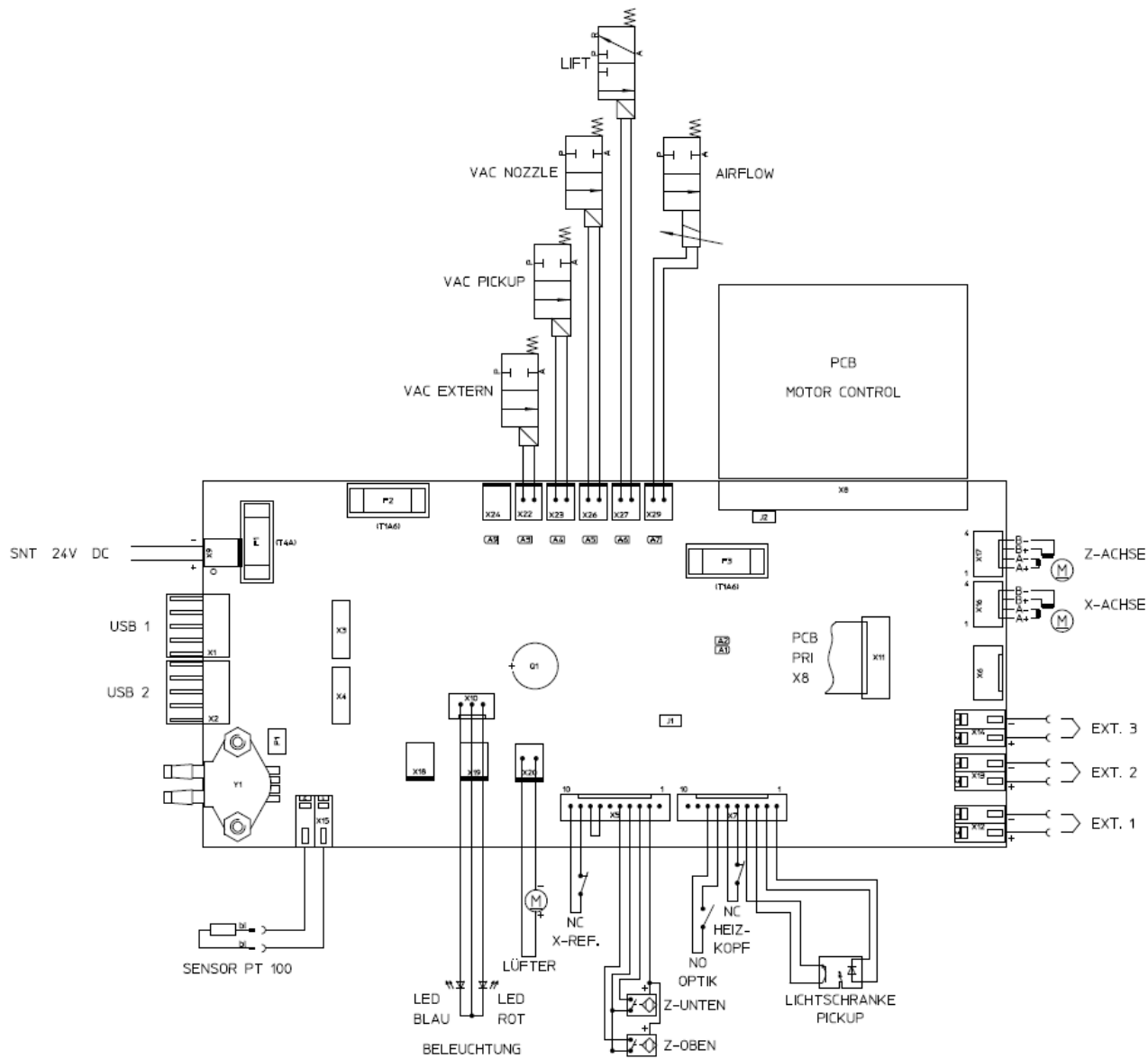


(similar to figure)

15 Circuit diagrams



4D9R946



4D9R947

16 Notes

17 Index

A

Air consumption.....	12
Air volume	38

B

Basic settings	32
BGA	9, 14
Blockage	44
Bottom heater.....	9, 11, 12, 16, 34, 35
Boxed air level.....	16

C

Camera	9, 11, 12, 16, 17, 18, 51
Change of workplace.....	14
Chart	38
Circuit board.....	9, 10, 11, 32
Circuit board carriage	44
Circuit board size.....	11
Cleaning	41, 43, 44, 47
Cleaning agents	44
Colour depth.....	12
Commissioning.....	19
Component lighting	31
Component placement	40
Compressed air.....	10, 12, 17, 18, 44, 53
Compressed air converter	12
Compressed air hose	16, 17, 51
Consumables	51
Contact protection	11
Control process	33
Cooling phase	39
Cross-hairs.....	32
Customer Service.....	45, 47

D

Declaration of Conformity	53
Desoldering	10, 51
Dimensions	12, 13
Disassembly.....	53
Disposal	53

E

Electrical system	51
EMERGENCY STOP	17, 44

F

Faults	46
FINEPITCH	9
Flow control.....	12

G

Gases.....	42
Gradient	34, 38
Gradient mode	38

H

Heating element	10, 51
Hot air nozzles	52

I

Input boxes.....	33
Insertion head	11, 16, 40
Installation.....	16, 19, 20

L

Language selection	36
Lens	11, 16, 18, 51

M

Mains fuse.....	12
Mains supply voltage.....	12, 17, 18, 53
Maintenance.....	41, 43, 47
Maintenance tasks	14

N

Nitrogen	10, 17, 53
Noise	13
Noise emission.....	12
Nozzle temperature	34

O

Operating Instructions	13, 16, 42
Operating Manual.....	19
Optical system.....	51
Optical unit	16, 17, 19, 47, 53

P

Packing	53
---------------	----

Parameter	38
Parameter block	34, 35
PCB holder	11, 16
Pneumatics	51
Positioning unit	9, 32, 43, 47
Power	10, 12
Print function	37
Process documentation	36
Process parameters	9, 33, 39
Process step	34, 38

R

Re Init.....	36
Referencing.....	19, 44
Reinitialisation	36
Repair	9, 14, 44
Replacement parts	51
Restart	19, 44

S

Safety regulations.....	42
Screen resolution	12
Software.....	9, 16, 17, 19, 20, 44
Soldering fume extraction device.....	41
Soldering head	10, 16, 18, 19, 35, 40
Soldering process.....	9, 39
Soldering tool	41, 42
Start-up	44
Step.....	34
Storage location	18
Strain relief.....	17
Supply lines.....	47
Switching on.....	42, 44

T

Teach-in	39
Temperature control	11, 12
Temperature profile determination.....	10, 39
Temperature sensor	9, 16, 51
Temperature thresholds	39
Thermocouple	51
Top heater.....	9, 12, 16, 34, 51
Total weight.....	12
Transport packaging.....	14, 15, 18, 53
Transportation table	11, 16, 53

U

USB.....	11, 12, 14, 16, 17, 51, 53
----------	----------------------------

V

Vacuum..... 10, 30, 32
 Voltage.....41, 42

W

Warning notes 13, 41, 42
 Warranty53
WIN 2000 SP4 12
WIN Vista 32-Bit..... 12
WIN XP SP2..... 12
 Work area..... 19, 41, 42
 WQB 4000SOPS.....9, 13, 14, 15, 16, 17, 18, 19, 44, 47
 WQB4000 Control 19

Y

Y-distributor..... 16, 51

Z

Zoom..... 18, 31
 Zoom factor31
 Zoom function31