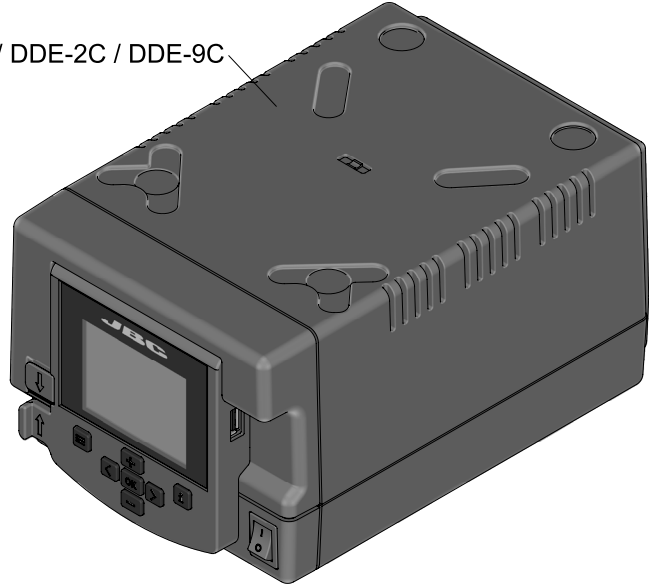
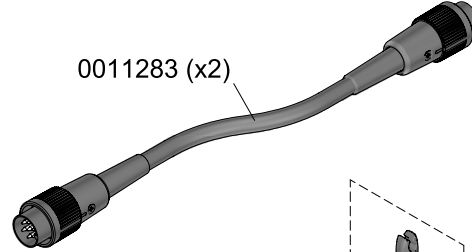


DDPE-1QB 120V
DDPE-2QB 230V
DDPE-9QB 100V

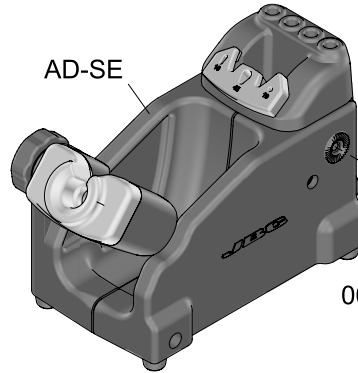
PRECISION STATION



DDE-1C / DDE-2C / DDE-9C



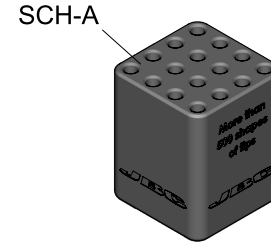
0011283 (x2)



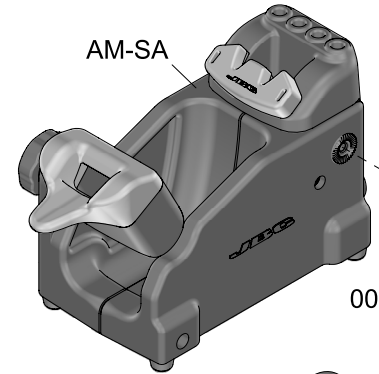
AD-SE

CC3702

0010433



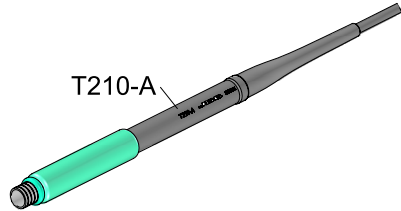
SCH-A



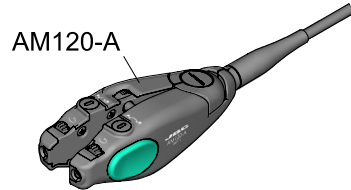
AM-SA

CC3702

0010433



T210-A



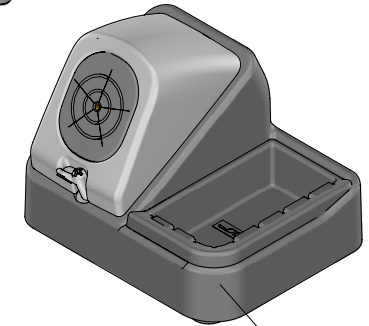
AM120-A



CL6210



S0354



CL8499

SPARE PARTS

DDE-1C / DDE-2C / DDE-9C:

-REAR CIRCUIT	0018129
-ENCLOSURE	
· TOP	0019028
· BOTTOM	0014567
· FRONT+DISPLAY	0019246
· BACK	0013413

DDPE-1QB 120V FUSE T-4A
 DDPE-2QB 230V FUSE T-2A
 DDPE-9QB 100V FUSE T-5A