

Circus LED

Powerful LED magnifier with huge glass lens



LUXO



Circus LED

Powerful LED magnifier with huge glass lens

Description

Circus LED is well suited for demanding work in beauty parlours, clinics and laboratories, for industrial purposes and as a tool for people with impaired vision. Circus LED has a large lens, aluminum head and a highly flexible self-balancing arm and shade neck. The large lens permits comfortable viewing with both eyes.

This excellent magnifier's light source is a circular LED module with good colour rendering. A circular light source is the ideal way of illuminating an object, virtually eliminating shadows.

Medical version

A version of Circus LED is medical approved (M): IEC 60601-1, IEC 60601-1-2.

Exact positioning

Circus LED has a highly flexible shade neck. The shade neck can be positioned horizontally, vertically and laterally making the luminaire very flexible for most examinations. The fully covered spring balanced arm makes it easy to position the luminaire in the correct position and makes cleaning easy.

Standard version with 3.5 or 5 diopter lens and table edge clamp. For additional magnification a secondary suction lens of 4, 6 or 10 diopters can be attached to the glass lens.

Arm and body colour: White, with black details.

Choice of colour temperature

Circus LED is available with a choice of colour temperature – 3000 (warm white) or 4000 (cool white) kelvin. This is particularly useful for certain low vision applications. It is recommended to use a warm white light for visual impairments caused by cloudy ocular media (cornea, lens and vitreous disorders) and by metabolite disorders (retinitis etc.), while visually impaired people with certain macular conditions such as dystrophies and AMD require significantly more light and will benefit from the higher proportion of blue waves in the cool white light from Circus LED 4000.

A recent study concludes that people's reading capability improves when using a magnifier with their preferred colour temperature.

About magnification

Follow this link to read more about the principles of magnification, and how a Luxo magnifier can make a difference for people in many different fields of life.

- [Luxo illuminated magnifiers](#)

Circus LED

Powerful LED magnifier with huge glass lens

Technical description

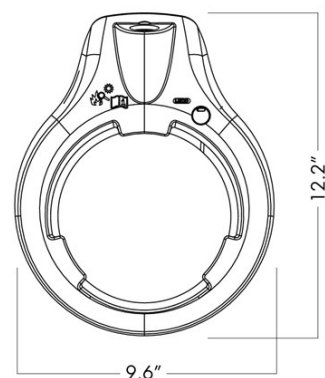
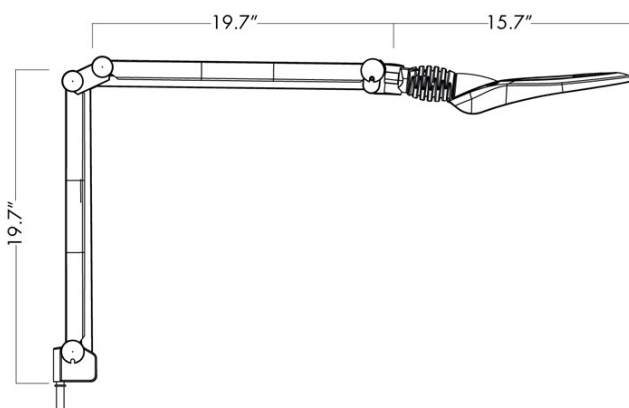
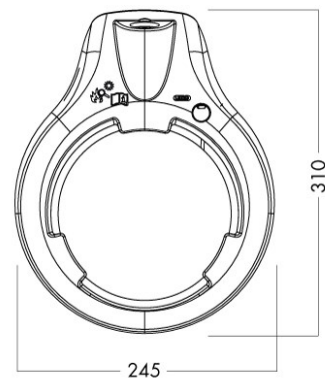
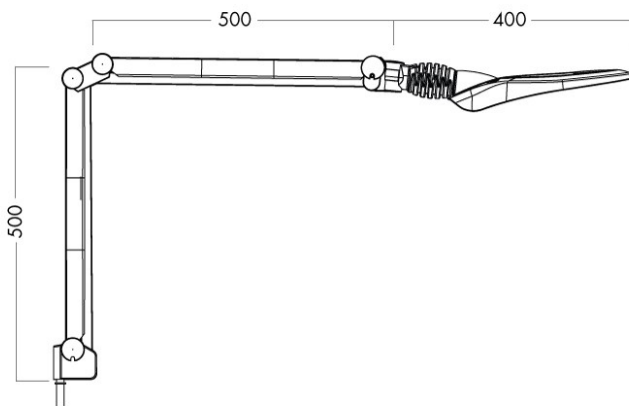
Light source	LED: 750lm out (4000K) CCT: 3000 or 4000K. Colour rendition index (CRI) is 90. The LED modules are dimmable, 10–100%.
Body material & colour	Steel arm with aluminium head. Shade neck cover in rubber. Colours: white arm and white head, plastic parts on the shade in black. White plastic covers on the arm.
Mounting	Standard with table clamp (AH clamp). Other table clamps, integrated table mounts and trolley are available on request.

Optics
Standard with 3,5D or 5D crown glass lens. Lens diameter is 165 mm. For additional magnification a secondary lens, 4D, 6D or 10D can be attached to the magnifier.

Arm technology & movement
Parallel, three-pivot arm. Arm length is 100 cm.

A version of Circus LED is medical approved: IEC 60601-1, IEC 60601-1-2.

Measurement drawings



Circus LED US

Circus LED US

Circus LED

Powerful LED magnifier with huge glass lens

Placement/Mounting



Energy label

