

# **JBC**

[www.jbctools.com](http://www.jbctools.com)



## **Control Unit for Robot**

Ref. UCR470-5A



## Packing List

The following items should be included:

**Control Unit  
for Robot** ..... 1 unit  
Ref. UCR470-5A



**Tool Cable** ..... 1 unit  
Ref. 0021403



**Power Cord** ..... 1 unit  
Ref. 0009401



**Communications  
Cable** ..... 1 unit  
Ref. 0020261



**Manual** ..... 1 unit  
Ref. 0020996



## Functions

There are up to 44 functions to control the station, such as:

- Temperature control
- Sleep and Hibernation control
- Station status
- Error Information
- Counters (working time, sleep, hibernation...)

# Features



**\*LED Indicator**  
**Blue:** Equipment powered.  
**Green:** Equipment working.  
**Red:** Error.

## Errors

In case of error, a red light flashes a certain number of times, indicating an error number as shown in the table below:

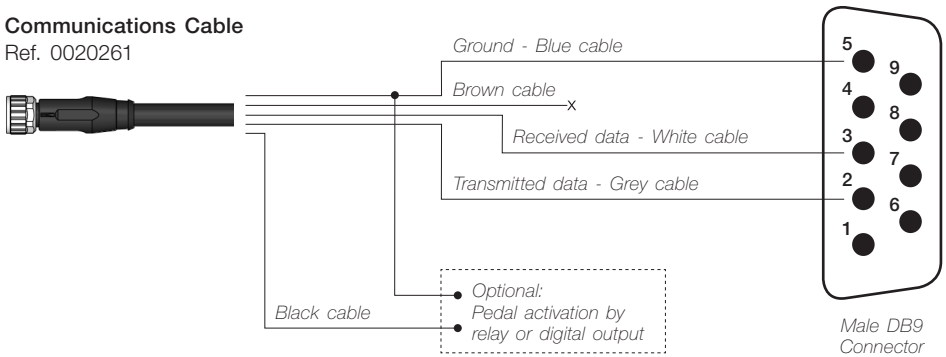
N° Error	Description	Solution
1 times	Shortcircuit	Replace cartridge
2 times	Open circuit	Replace cartridge
3 times	Not accepted tool	Check if the tool is compatible with the station
4 times	Tool detection error	Check the tool
6 times	Current usage leads to overloading	Due to overload wait until the device has cooled down
7 times	Shortcircuit	Check if the cartridge is compatible with the station
12 times	Memory error	Reset the station

If the error persists, contact with JBC technical service.

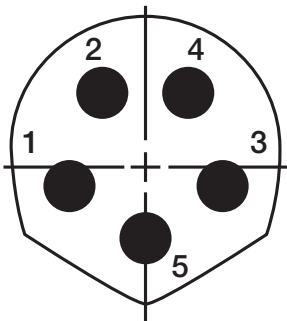
## Connection

- The UCR470-5A control unit for robot can be connected to a PLC by a five-pin communications cable connector (Ref. 0020261).
- For a proper connection, it is only necessary to connect three of the five pins to a typical DB9 male connector (PLC or computer).

### Communications Cable Ref. 0020261



- See the following communications connector pin distribution:

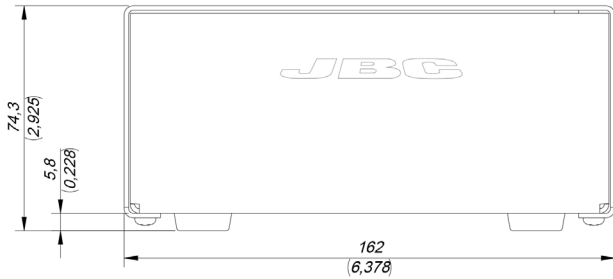
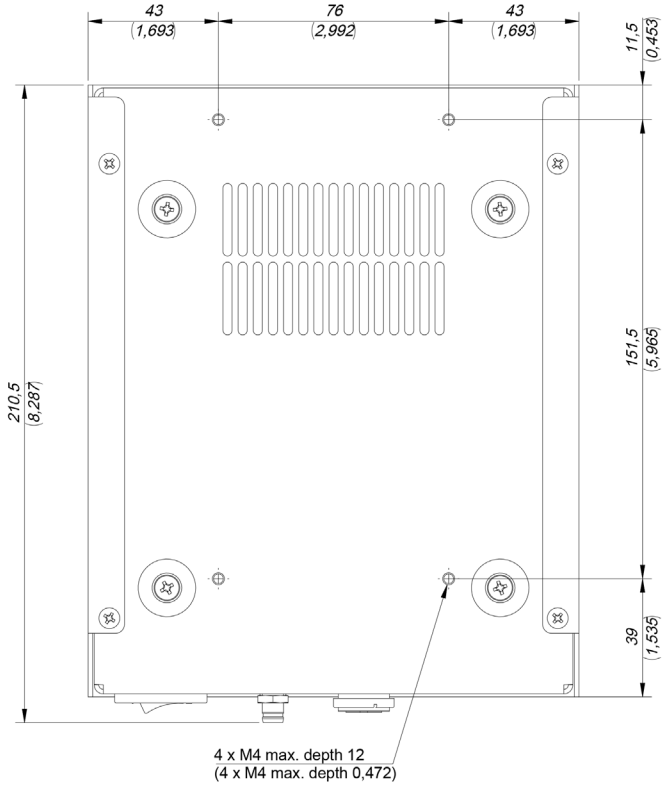


Front view

Communications connector		
Pin	Color	Description
1	Brown	Not used
2	White	Serial input: RS232 RX
3	Blue	Common reference: GND for RS232 and pedal
4	Black	Pedal input: OV or 24V to start feeding. Leave it open to stop
5	Grey	Serial output: RS232 TX

Robot Communication Protocol available in [www.jbctools.com](http://www.jbctools.com)

# Dimensions



*Dimensions in mm  
(Dimensions in in)*

## Compatibility

The Control Unit for Robot UCR470-5A works with **TR470-A** and **TRA470-A** devices and its cartridge range **R470**. Connect any of those tools with the provided cable (Ref. 0021403). Find more information in [www.jbctools.com](http://www.jbctools.com)



Ref. TR470-A



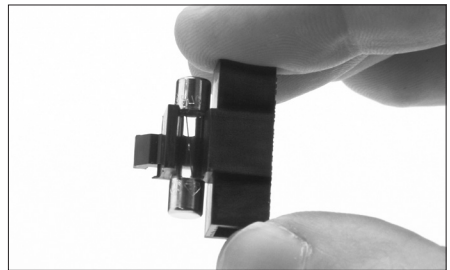
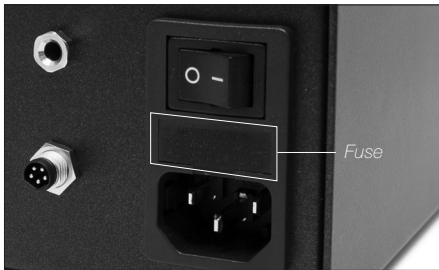
Ref. TRA470-A

## Maintenance

- Before carrying out maintenance, always allow the equipment to cool down.
- Periodically check all cables and tube connections.
- Replace a blown fuse as follows:

**1.** Pull off the fuse holder and remove the fuse. If necessary use a flat screwdriver to lever it off.

**2.** Insert the new fuse into the fuse holder and return it to the station.



- Replace any defective or damaged pieces. Only use original JBC spare parts.
- Repairs should only be performed by a JBC authorized technical service.

# Safety



**It is imperative to follow safety guidelines to prevent electric shock, injury, fire or explosion.**

- Do not use the unit for any purpose other than soldering or rework. Incorrect use may cause fire.
- The main cable must be plugged into approved bases. Make sure that it is properly grounded before use. When unplugging it, hold the plug, not the wire.
- The temperature of accessible surfaces may remain high after the unit is turned off. Handle with care.
- Do not leave the appliance unattended when it is on.
- Do not cover the ventilation grills. Heat can cause inflammable products to ignite.
- Heat can cause inflammable products to ignite even when not visible.
- Avoid flux coming into contact with skin or eyes to prevent irritation.
- Be careful with the fumes produced when soldering.
- Keep your workplace clean and tidy. Wear appropriate protection glasses and gloves when working to avoid personal harm.
- Utmost care must be taken with liquid tin waste which can cause burns.
- This appliance can be used by children over the age of eight as well as persons with reduced physical, sensory or mental capabilities or lacking experience provided that they have been given adequate supervision or instruction concerning use of the appliance and understand the hazards involved. Children must not play with the appliance.
- Maintenance must not be carried out by children unless supervised.



## 有害物质含量表

产品中有害物质的名称及含量

部件名称	有害物质					
	铅(Pb)	汞(Hg)	镉(Cd)	六价铬 (Cr(VI))	多溴联苯 (PBB)	多溴二苯醚 (PBDE)
烙铁头	0	0	0	0	0	0
手柄	0	0	0	0	0	0
电源线	0	0	0	0	0	0
主机	0	0	0	0	0	0
电源插座	0	0	0	0	0	0
保险丝	0	0	0	0	0	0
主开关	0	0	0	0	0	0
电位连接	X	0	0	0	0	0
变压器	0	0	0	0	0	0
线路板	X	0	0	0	0	0

0 表示该有害物质在该部件所有均质材料中的含量均在GB/T 26572 规定的限量要求以下。  
 X 表示该有害物质至少在该部件的某一均质材料中的含量超出GB/T 26572 规定的限量要求。



---

---

---

---

---

---

---

---

---

---

---

---

---

---

---

---

---

---

---

---

---

---

---

---

---

---

# Specifications

**UCR470-5A** 85 - 265V 50/60Hz. Input fuse: 4A. Output: 42V.

- Weight: 2,2 kg (4.9 lb)
- Dimensions: 210 x 162 x 75 mm (8.3 x 6.4 x 3.0 in)
- Output Peak Power: 250W
- Temperature Range: 90 - 500 °C (190 - 932 °F)
- Idle Temp. Stability (still air):  $\pm 1.5$  °C /  $\pm 3$  °F
- Tip to ground resistance: < 2 ohms
- Tip to ground voltage: < 2mV RMS
- Ambient operating temp: 10 - 40 °C (50 - 104 °F)
- Connections: M8-5pins for Robot

Complies with CE standards.  
ESD protected housing.

## JBC

### Warranty

JBC's two year warranty covers this equipment against all manufacturing defects, including the replacement of defective parts and labour. Warranty does not cover product wear or misuse. In order for the warranty to be valid, equipment must be returned, postage paid, to the dealer where it was purchased.

**Register your warranty within 30 days of purchase in [www.jbctools.com/productregistration](http://www.jbctools.com/productregistration)**



This product should not be thrown in the garbage.

In accordance with the European directive 2002/96/EC, electronic equipment at the end of their life must be collected and returned to an authorized recycling facility.



Manual in other languages available on our website

**[www.jbctools.com](http://www.jbctools.com)**