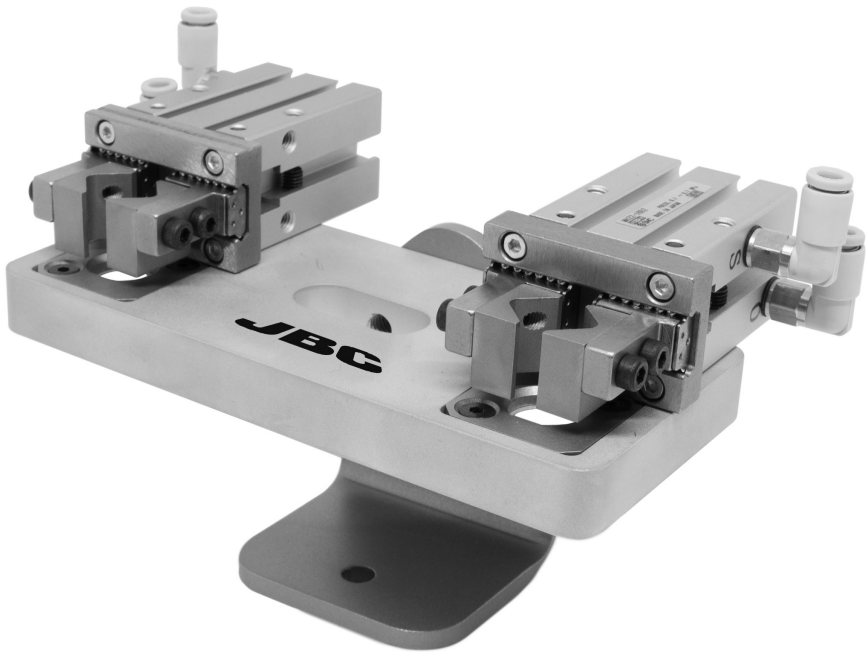


JBC

www.jbctools.com



Cartridge Stand for Automation

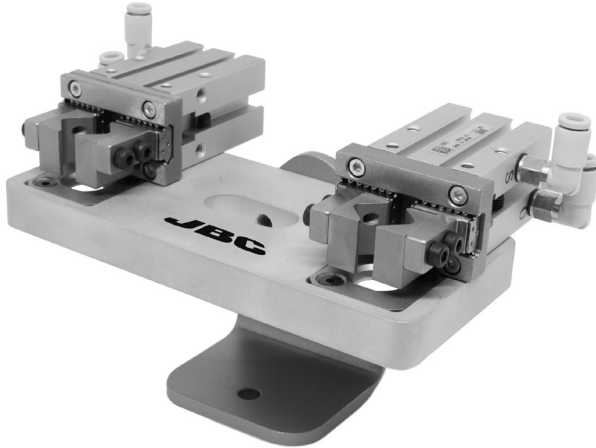
Ref. CS2R245-A / CS2R470-A

Packing List

The following items should be included:

Cartridge Stand for Automation 1 unit

Ref. CS2R245-A
CS2R470-A



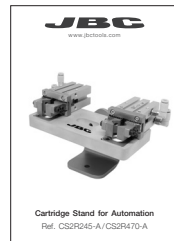
Screw 1 unit
DIN 912 M6x20
Ref. 0842925



Washer 1 unit
DIN 125 Ø6.4 mm
Ref. 0842925



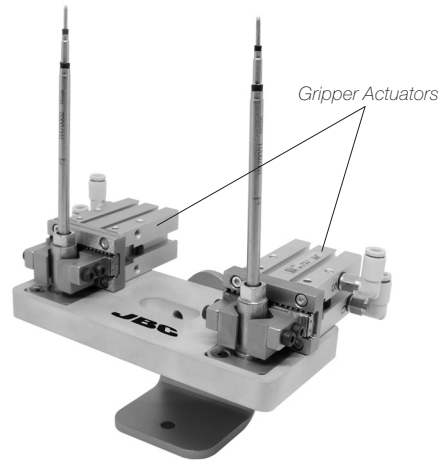
Manual 1 unit
Ref. 0021526



Features

The CS2R is designed to be used in automatic soldering processes. Thanks to the Gripper Actuators, it allows to hold the cartridges while they are not in use.

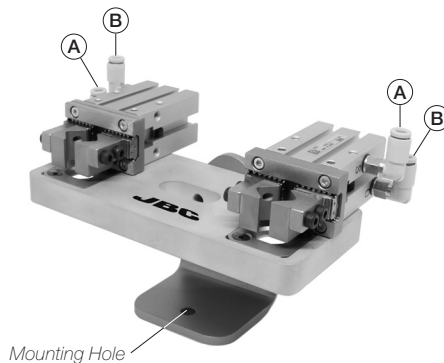
It can be used in combination with Automatic Soldering Irons (**TRA**) and the new Cartridges for Automation (**R245** and **R470** ranges).



Assembly

The CS2R comes with a mounting hole, that serves to fixing it at the robot work place area. Use **DIN912 M6** screws to attach it.

The Gripper Actuator must be connected to an air-circuit by using the tube connections **A** and **B**.



(A) Tube connection to fix cartridges

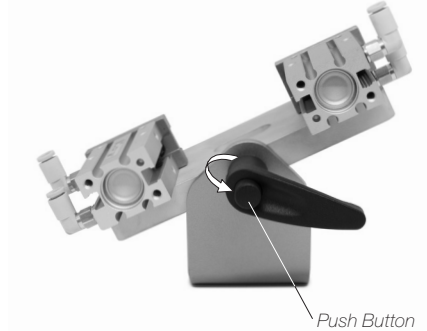
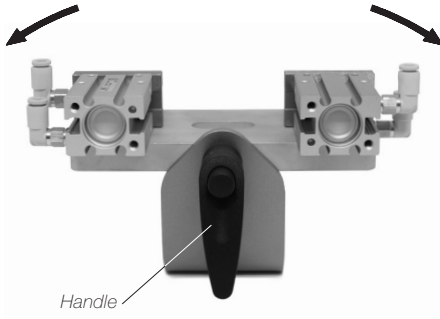
(B) Tube connection to release cartridges

Gripper Actuator	
Fluid	Air
Applicable tubing	Ø4mm
Operating pressure	0,15 to 0,7 MPa

Work Position Adjustment

The CS2R can be turned up to 35° in both directions to facilitate the tip's insertion.

To pivot the CS2R, loosen and tighten the handle to turning it. The Handle can be aligned vertically again by pressing the Push Button.

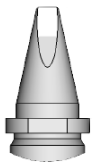


Compatibility

Cartridge Stand	Cartridge Range		Control Unit		Soldering Irons	
	R245	R470	UCR245	UCR470	TRA245	TRA470
CS2R245	●		●		●	
CS2R470		●		●		●

Compatible Cartridges

Find the cartridge models that best suits your soldering needs in www.jbctools.com

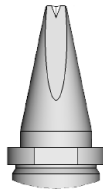


Chisel
Ref. R245002

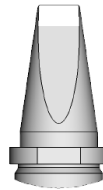


Through hole
Ref. R245004

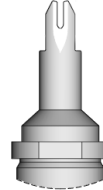
Range 245



Through hole
Ref. R470003



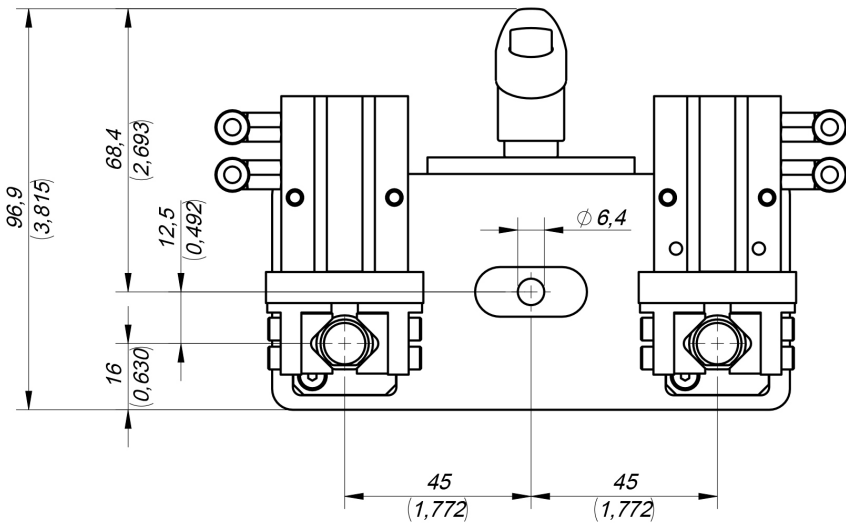
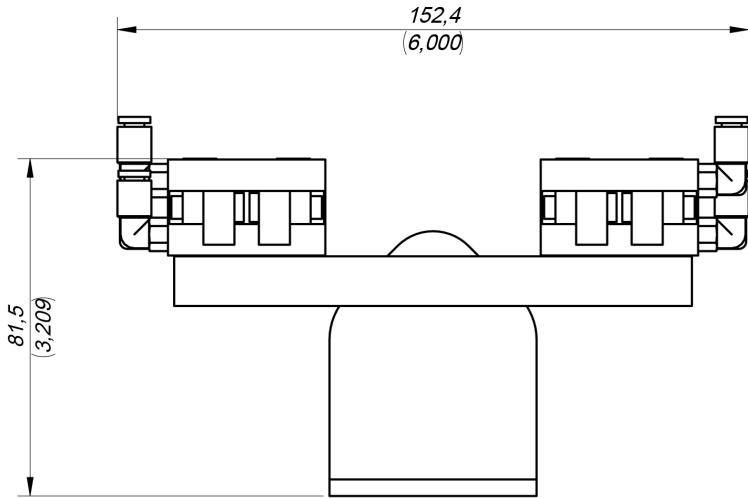
Chisel
Ref. R470008



Through hole
Ref. R470012

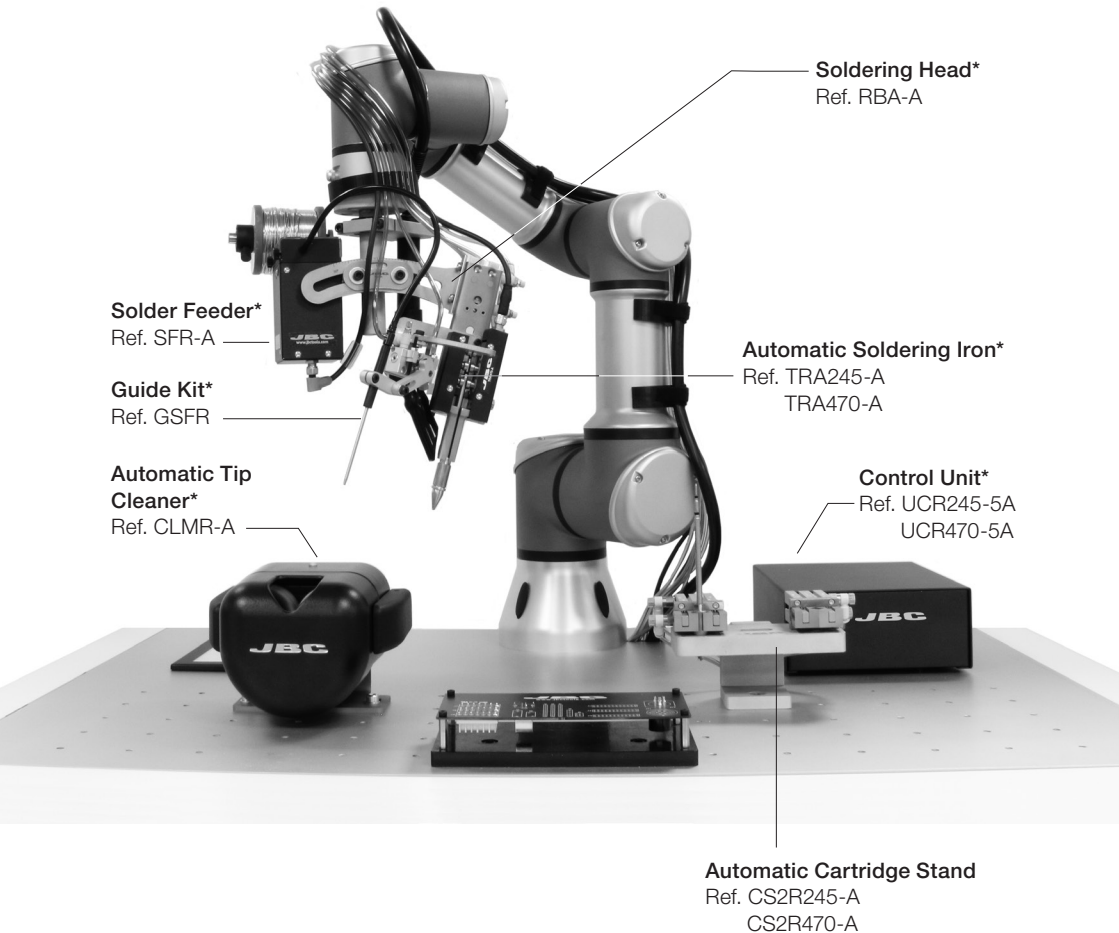
Range 470

Dimensions



$\frac{mm}{(in)}$

Work Place Example



**Not included, sold separately*

Maintenance

- Before carrying out maintenance, always unplug the device.
- Use a damp cloth to clean the device. Alcohol can only be used to clean the metal parts.
- Periodically check that the metal parts of the device are clean.
- Periodically check all cables and tube connections.
- Replace any defective or damaged pieces. Use original JBC spare parts only.
- Repairs should only be performed by a JBC authorized technical service.
- Under normal operating conditions, the air gripper lifespan is 10 million cycles. It is recommended to replace it at the end of its lifespan.

Safety



It is imperative to follow safety guidelines to prevent electric shock, injury, fire or explosion.

- Do not use the device for any other purpose.
- The temperature of accesible surfaces may remain high after the unit is turned off. Handle with care.
- Do not leave the appliance unattended when it is on.
- Avoid flux coming into contact with skin or eyes to prevent irritation.
- Be careful with the fumes produced when soldering.
- Keep your workplace clean and tidy. Wear appropriate protection glasses and gloves when working to avoid personal harm.
- Utmost care must be taken with liquid tin waste which can cause burns.

Specifications

- | | |
|--------------|--|
| - Net Weight | 690 g (1.51lb) |
| - Dimensions | 153 x 82 x 97 mm (6.02 x 3.23 x 3.82 in) |

Complies with CE standards.
ESD protected.

JBC

Warranty

JBC's two-year warranty covers this equipment against all manufacturing defects, including the replacement of defective parts and labour.

Warranty does not cover product wear or misuse.

In case of any manufacturing defect, the equipment must be returned, postage paid, to the dealer where it was purchased.



This product should not be thrown in the garbage.

In accordance with the European directive 2002/96/EC, electronic equipment at the end of their life must be collected and returned to an authorized recycling facility.



Manual in other languages available on our website

www.jbctools.com