



A Donaldson Company

A WORLD LEADER IN FUME EXTRACTION TECHNOLOGY

3D PrintPRO 2

3D PRINTING

Last Updated on 06.02.2019



For open framed 3D printers.

The BOFA 3D PrintPRO 2 is a low cost unit, which extracts fumes generated by an open framed 3D printer without causing the filament deposition area to be cooled.

It has the benefits of low noise level and minimal power consumption. Each unit can be supplied with a connection hose, 'Stay Put' arm and conical shaped funnel.

Print your own extendable manifolds 3D drawing files can be found at: bofainternational.com/en/print-your-own

Technology



HEPA filter



Advanced carbon filter (ACF) technology



Multi voltage sensing unit (MVS)



ProTECT service plan



SureCHECK quality standard

Key features of the 3D PrintPRO 2

Filter change indicator
Standard

Hose kit included
Optional

Powder coated for durability
Standard

Compact size
Standard

3 level filtration - pre, HEPA and chemical filters
Standard

Low noise level
Standard

Small footprint
Standard

24V remote stop/ start interface
Optional

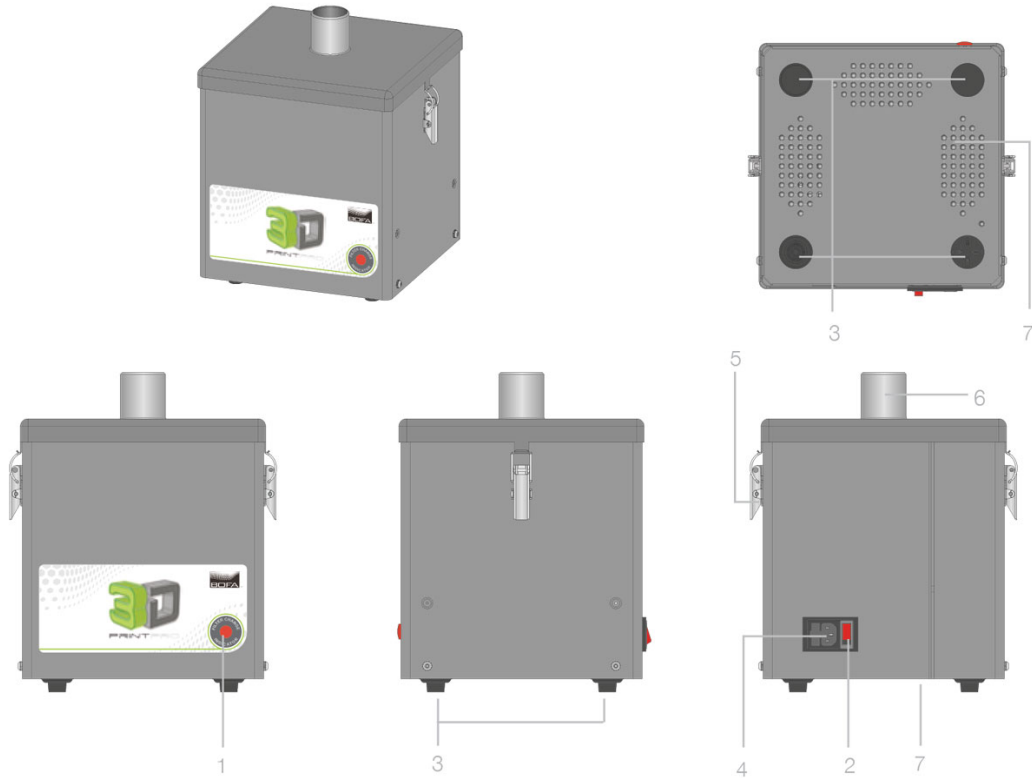
Contact BOFA at <https://bofainternational.com/en/contact/>

<https://bofainternational.com/en/portal/datasheets/3d-printpro-2/>



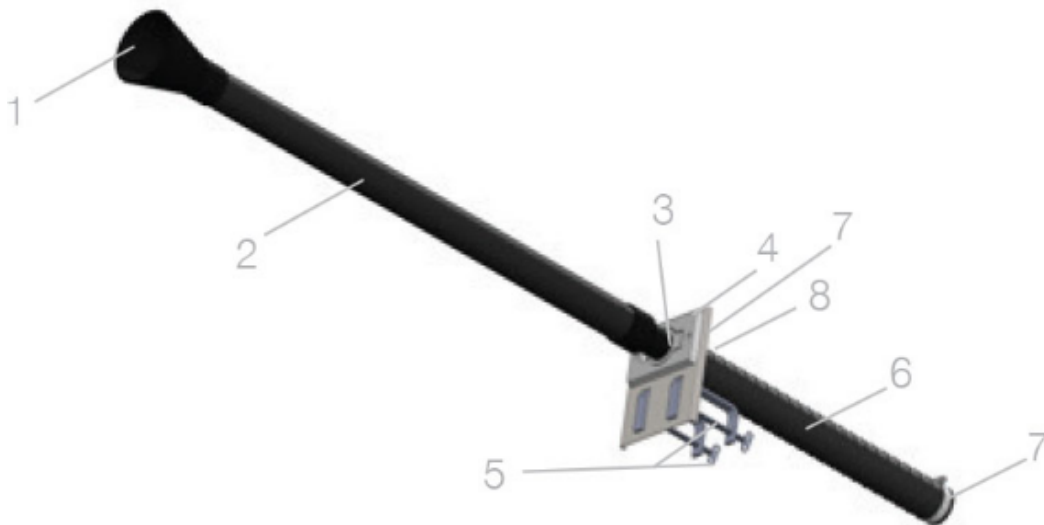
Technical specification

- 1. Filter change indicator
- 2. On / Off switch
- 3. Feet
- 4. Power cable inlet
- 5. Lid fastening latches
- 6. Hose inlet connections - 50mm
- 7. Exhaust outlets

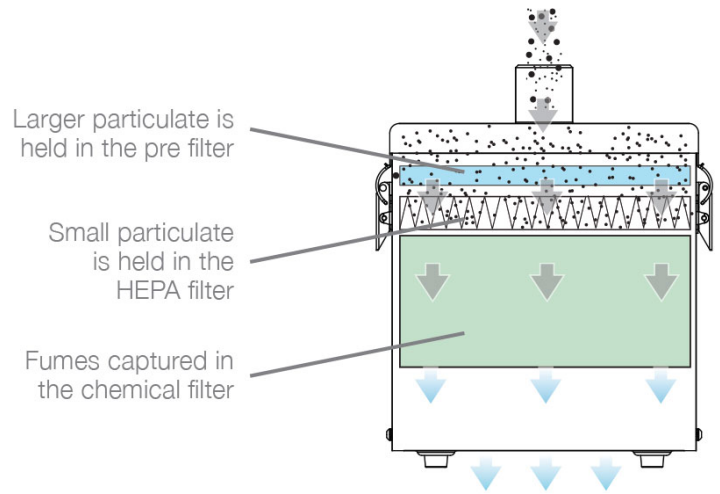
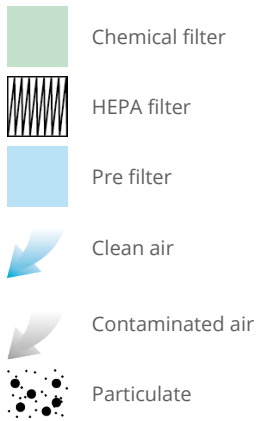


Optional Hose kit technical specification

- 1. Funnel
- 2. 50mm 'Stay Put' arm
- 3. Fliptop mount
- 4. Table bracket
- 5. 2 x 'G' clamps
- 6. 60mm flexible hose
- 7. 2 x jubilee clamp
- 8. Shut off valve



Airflow through filters



Technical data

| | EU | US |
|----------------------|--|--|
| Dimensions (HxWxD) | 330 x 290 x 270mm | 12.99 x 11.42 x 10.63" |
| Cabinet construction | Powder coated mild steel | Powder coated mild steel |
| Airflow / pressure | 45m ³ /hr | 26.5cfm |
| Electrical data | 230v 1ph 50/60Hz Full load current: 0.2 amps | 115v 60/50Hz Full load current: 0.2 amps |
| Noise level | < 44dBA (at typical operating speed) | < 44dBA (at typical operating speed) |
| Weight | 7.8kgs | 17lbs |
| Approvals | CE | CE |

Pre filter specifications

| | |
|---------------------------|-----------------|
| Filter media | Glass fibre |
| Filter media construction | Pad |
| Filter efficiency | 96% @ 2 microns |

Combined HEPA / Gas filter specifications

| | |
|-------------------------|--|
| HEPA filter media | Glass fibre |
| HEPA media construction | Maxi pleat construction with webbing spacers |
| Gas filter | Treated activated carbon |
| Filter housing | Zintec mild steel |
| Filter efficiency | 99.997% @0.3 microns |

Unit part numbers

| Model | Part number | Optional 24v Stop/Start |
|---|-------------|-------------------------|
| 3D PrintPRO 2 Powder coated | L5444-0000 | A2001 |
| 3D PrintPRO 2 Powder coated + install kit & arm | L5444-0002 | A2001 |

Replacement filter part numbers

| Model | Pre filter | Combined HEPA/Gas filter |
|---------------|------------|--------------------------|
| 3D PrintPRO 2 | A1030102 | A1030099 |

Datasheet correct at time of publishing.

Where applicable, the carbon used in BOFA units is capable of removing a wide range of VOC's, however it is the responsibility of the user to ensure the carbon is suitable for their application. For specific applications, please contact us for details.

Think before you print! Please consider the environment before printing this document.

